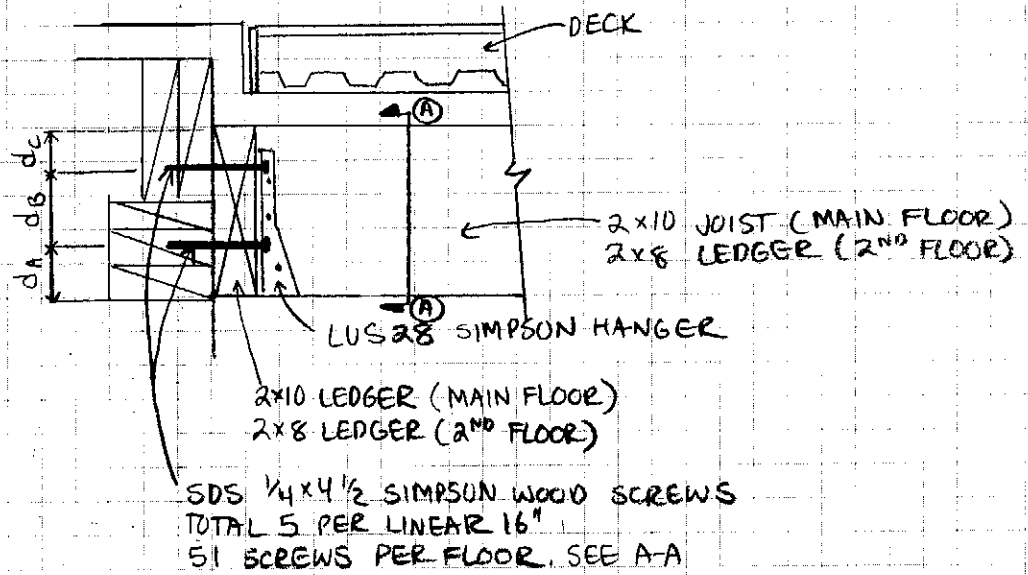
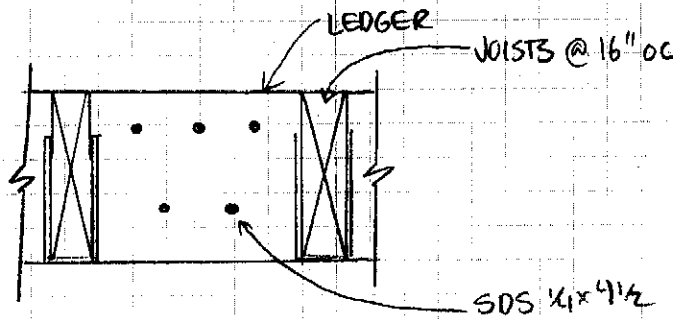


LEDGER CONNECTION DETAILS



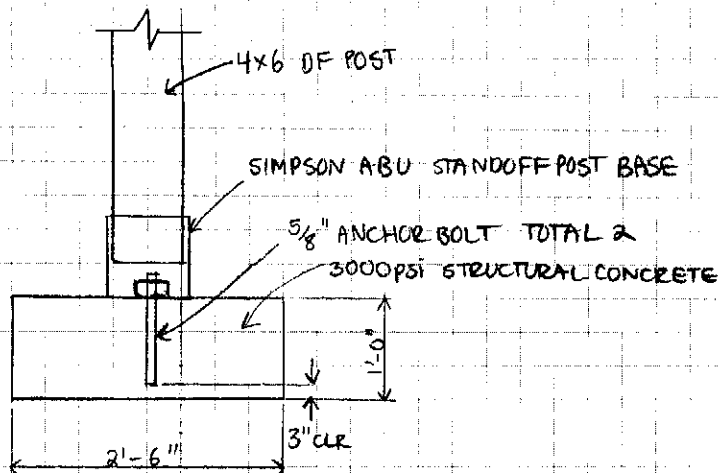
	dA	dB	dC
MAIN FLOOR	3"	4 1/2"	2"
2 ND FLOOR	2 1/4"	3"	2"



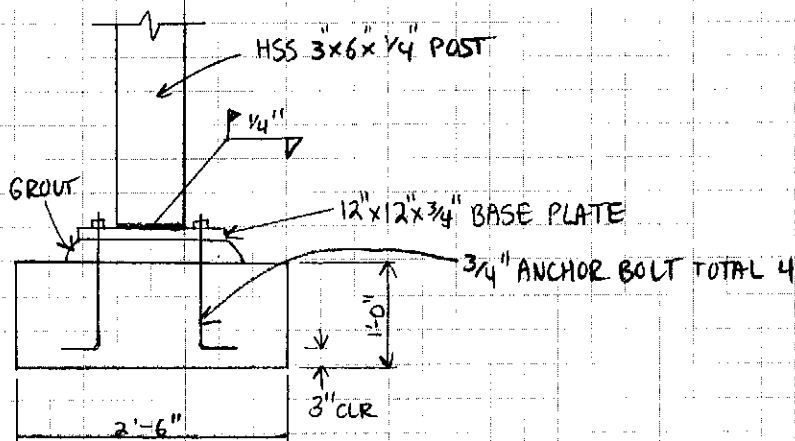
SECTION A-A

<p>James G. Pierson, Inc.</p> <p>Consulting Structural Engineers</p> <p>320 S.W. Stark, Suite 535 Portland, Oregon 97204</p> <p>Tel: (503) 226-1286 Fax: (503) 226-3130</p>	Project	MULLER DECK	Job no.
	Location		Date
	Client	HAWKINS	Sheet no.
			A

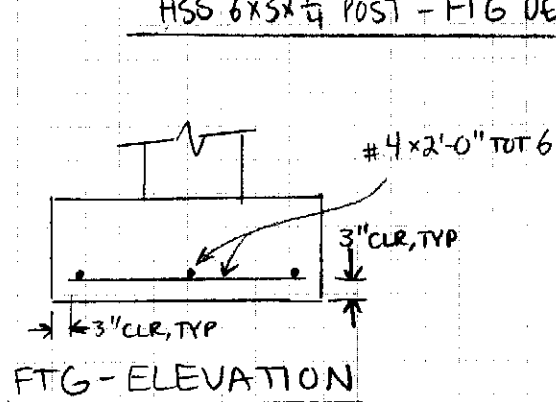
FOOTING DETAILS



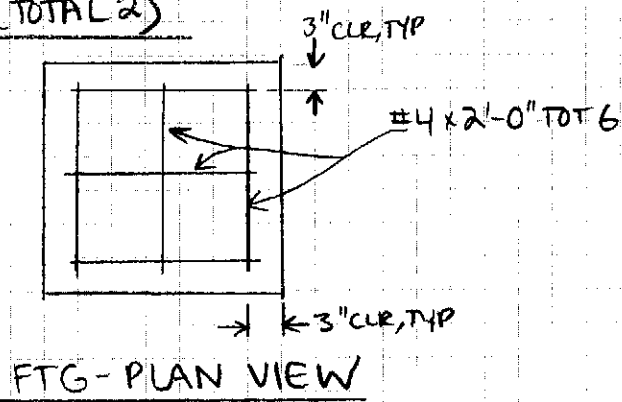
4x6 DF POST-FTG DETAIL (TOTAL 2)



HSS 3x6x1/4 POST - FTG DETAIL (TOTAL 2)



FTG - ELEVATION



FTG - PLAN VIEW

<p>James G. Pierson, Inc. Consulting Structural Engineers 320 S.W. Stark, Suite 535 Portland, Oregon 97204 Tel: (503) 226-1286 Fax: (503) 226-3130</p>	Project	MULLER DECK	Job no.
	Location		Date
	Client	HAWKINS	Sheet no.
			B