

SURVEY NOTES

THE SURVEY SHOWN WAS ASSEMBLED BY W. B. WELLS & ASSOCIATES SURVEY ON 8-13-2013.

THIS TOPOGRAPHIC SURVEY DRAWING ACCURATELY PRESENTS SURFACE FEATURES LOCATED DURING THE COURSE OF THIS SURVEY. UNDERGROUND UTILITIES SHOWN HEREON ARE BASED SOLELY UPON INFORMATION PROVIDED BY OTHERS AND PACE ENGINEERS, INC. DOES NOT ACCEPT RESPONSIBILITY OR ASSUME LIABILITY FOR THEIR ACCURACY OR COMPLETENESS. CONTRACTOR/ENGINEERS SHALL VERIFY EXACT SIZE AND LOCATION PRIOR TO CONSTRUCTION. CALL FOR LOCATE: UTILITY LOCATION SERVICE: 1-800-425-5555.

NOTES

THE UNDERGROUND UTILITY LINES SHOWN HEREON ARE FROM A COMBINATION OF FIELD VERIFICATIONS AND VARIOUS UTILITY, PRIVATE, AND GOVERNMENT SUPPLIED "AS-BUILT" MAPS AND ARE APPROXIMATE ONLY. THE SURVEYOR MAKES NO GUARANTEE THAT THE UNDERGROUND UTILITIES SHOWN COMPRISE ALL SUCH UTILITIES IN THE AREA, EITHER IN SERVICE OR ABANDONED. THE SURVEYOR FURTHER DOES NOT WARRANT THAT THE UNDERGROUND UTILITIES SHOWN ARE IN THE EXACT LOCATION INDICATED, ALTHOUGH HE DOES STATE THAT THEY ARE LOCATED AS ACCURATELY AS POSSIBLE FROM INFORMATION AVAILABLE. THE SURVEYOR HAS NOT PHYSICALLY LOCATED THE UNDERGROUND UTILITIES. NO PORTION OF THE BUILDING BELOW GRADE WAS SURVEYED. BOUNDARY INFORMATION SHOWN HEREON IS DERIVED FROM A COMBINATION OF FOUND MONUMENTATION AND RECORD SURVEY DATA AND IS APPROXIMATE ONLY. THIS IS NOT A BOUNDARY SURVEY.

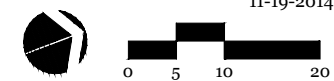
LEGEND

- PROPERTY LINE
- - - CENTER LINE
- X- FENCE
- E- UNDERGROUND POWER LINE
- G- GAS LINE
- COMBO- COMBINED SEWER LINE
- SD- STORM DRAIN LINE
- T- UNDERGROUND TELEPHONE LINE
- W- WATER LINE
- B BOLLARD
- DWY DRIVWAY
- EM ELECTRIC METER
- EVLV ELECTRIC VAULT
- PPL PACIFIC POWER AND LIGHT
- GM GAS METER
- WM WATER METER
- PP PEDESTRIAN POLE
- SL EXISTING STREET LIGHT
- SP SIGNAL POLE
- LB LIGHT BOX
- PS PARKING STATION
- SD STORM DRAIN MANHOLE
- UMH UTILITY MANHOLE
- SIGN SIGN
- GV GAS VALVE
- WV WATER VALVE
- CB CATCH BASIN
- FH FIRE HYDRANT
- PC PROPOSED CONCRETE
- PA PROPOSED ASPHALT

TREE TABLE			
NO.	TRUNK SIZE	TYPE	Ø DRIP
292	16"	LINDEN	40'
293	12"	LINDEN	30'
294	18"	LINDEN	30'
295	15"	LINDEN	35'
296	19"	LINDEN	35'
297	25"	MAPLE	40'
298	26"	MAPLE	60'
481	21"	LIQUID AMBER	35'
482	10"	LIQUID AMBER	25'
483	23"	LIQUID AMBER	30'

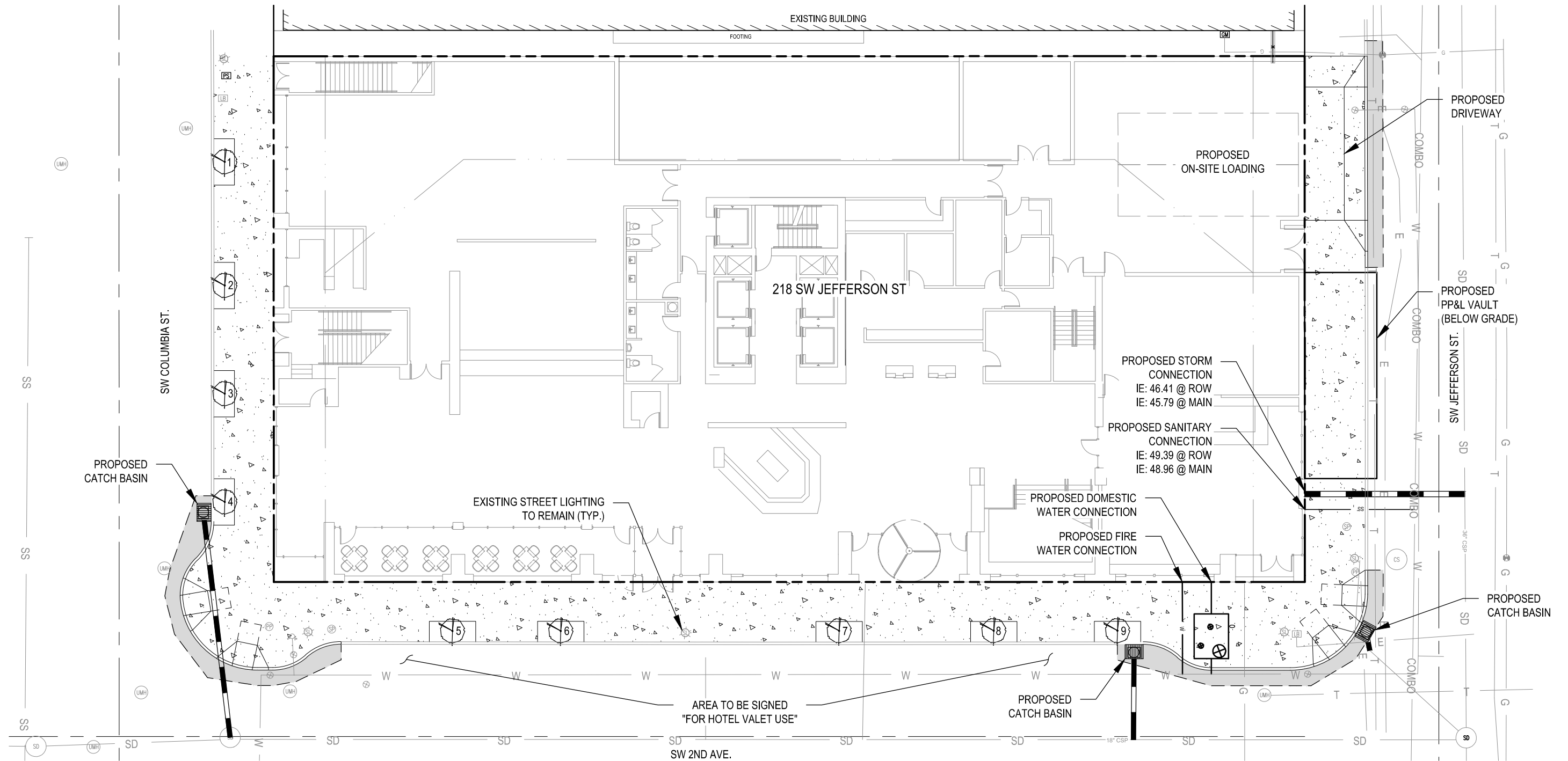
Portland Curio

HC Architecture



11-19-2014
 PORTLAND
 5415 SW WESTGATE DR, STE 100, PORTLAND, OR 97221
 TEL: (503) 419 - 2500 FAX: (503) 419 - 2600
 www.cardno.com
 CONTACT: JEFF SHOEMAKER

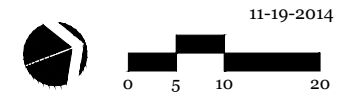
Existing Conditions



PROPOSED TREE TABLE	
NO.	TYPE
1	CARPINUS BETULUS "FRANS FONTAINE" - EUROPEAN HORNBEAM
2	CARPINUS BETULUS "FRANS FONTAINE" - EUROPEAN HORNBEAM
3	CARPINUS BETULUS "FRANS FONTAINE" - EUROPEAN HORNBEAM
4	CARPINUS BETULUS "FRANS FONTAINE" - EUROPEAN HORNBEAM
5	PARROTIA PERSICA "VANESSA" - PERSIAN IRONWOOD
6	PARROTIA PERSICA "VANESSA" - PERSIAN IRONWOOD
7	PARROTIA PERSICA "VANESSA" - PERSIAN IRONWOOD
8	PARROTIA PERSICA "VANESSA" - PERSIAN IRONWOOD
9	PARROTIA PERSICA "VANESSA" - PERSIAN IRONWOOD

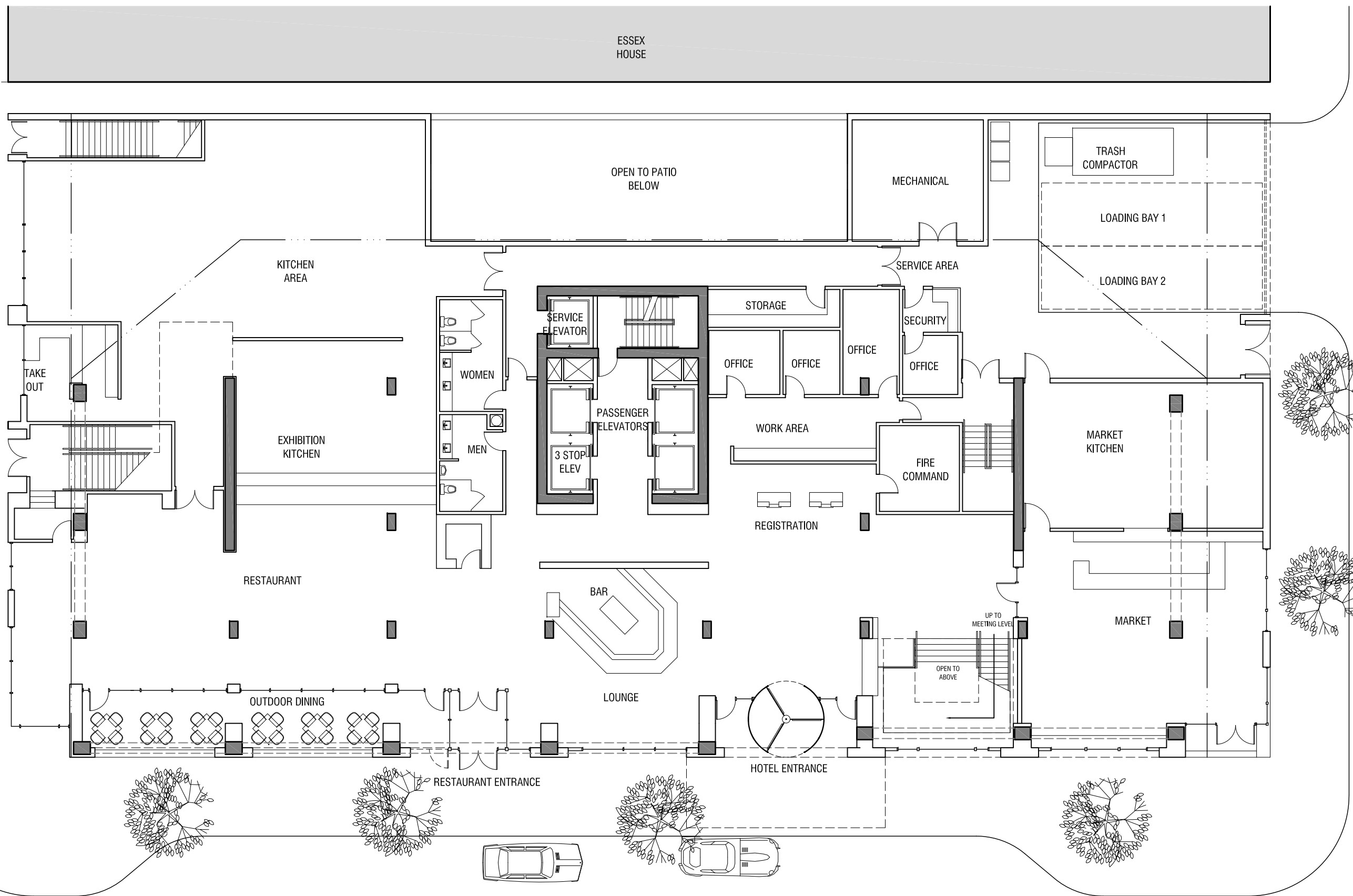
LEGEND

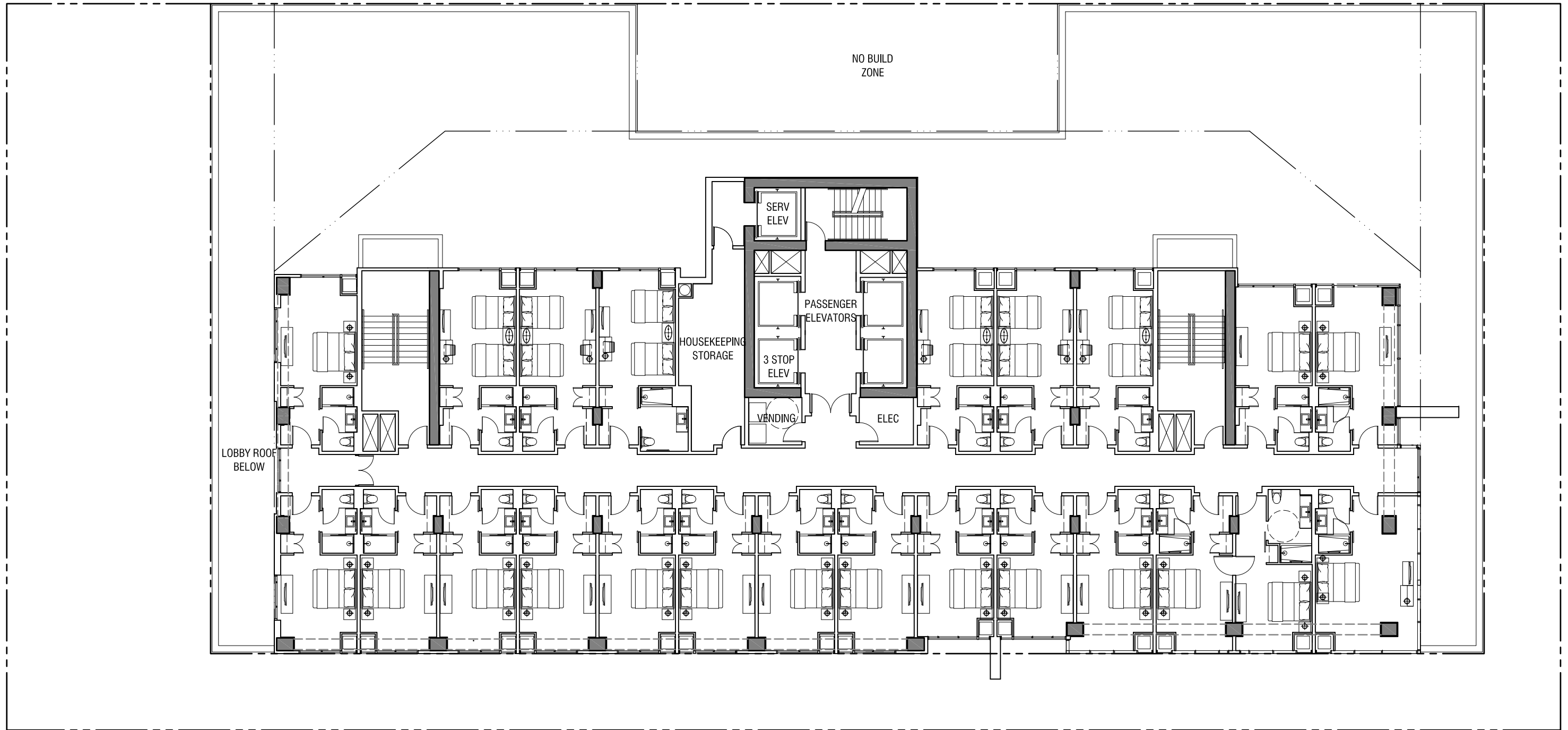
- PROPERTY LINE
- - - CENTER LINE
- X- FENCE
- E- UNDERGROUND POWER LINE
- G- GAS LINE
- COMBO- COMBINED SEWER LINE
- SD- STORM DRAIN LINE
- T- UNDERGROUND TELEPHONE LINE
- W- WATER LINE
- B BOLLARD
- DWY DRIVEWAY
- EM ELECTRIC METER
- EVLV ELECTRIC VAULT
- PPL PACIFIC POWER AND LIGHT
- GM GAS METER
- WM WATER METER
- PP PEDESTRIAN POLE
- ESL EXISTING STREET LIGHT
- SP SIGNAL POLE
- LB LIGHT BOX
- PS PARKING STATION
- SD STORM DRAIN MANHOLE
- UMH UTILITY MANHOLE
- SIGN SIGN
- GV GAS VALVE
- WV WATER VALVE
- CB CATCH BASIN
- FH FIRE HYDRANT
- PC PROPOSED CONCRETE
- PA PROPOSED ASPHALT
- SSS PROPOSED SANITARY SEWER LINE
- SDP PROPOSED STORM DRAIN PIPE
- SL PROPOSED SAWCUT LINE
- CB PROPOSED CATCH BASIN
- TR PROPOSED TREE



Cardno
Shaping the Future

PORTLAND
5415 SW WESTGATE DR, STE 100, PORTLAND, OR 97221
TEL: (503) 419 - 2500 FAX: (503) 419 - 2600
www.cardno.com
CONTACT: JEFF SHOEMAKER









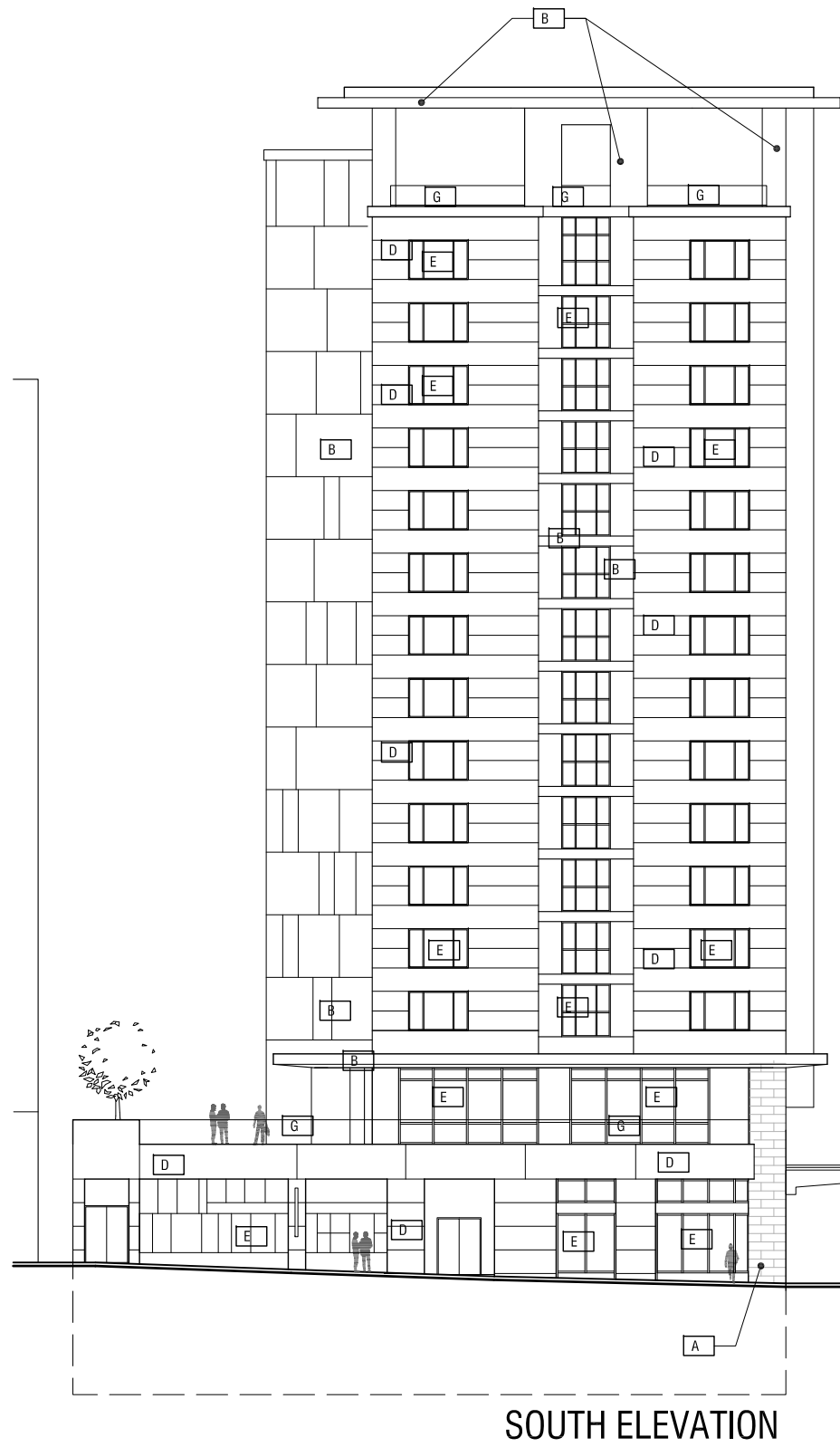
MATERIAL LEGEND	
A	TEXTURED SPLIT LIMESTONE 12 X 24 CUT STONE PANELS. ALTERNATE PRODUCTS- - CORONADO THIN VENEER STONE 'SPLIT LIMESTONE' - CORONADO THIN VENEER STONE 'GETTYSTONE' CREME
B	ALUMINUM COMPOSITE PANEL (ACM) REYNOBOND OR ALUCOBOND; COLOR - ANODIC SATIN MICA
C	GLASS CURTAINWALL FEATURE - MULLION PATTERN TBD, 50% OF VERTICALS TO BE BUTT JOINED; THREE GLASS COLORS; 1" IGU
D	VENTILATED COMPOSITE RAIN SCREEN PANELS - TRESPA METEON EXTERIOR; COLOR - WEATHERED BASALT ALTERNATE MANUFACTURERS - ABET LAMINATI - SWISS PEARL - CENTRIA INSULATED MEATL PANELS
E	STOREFRONT OR CURTAINWALL SYSTEM; 1" LOW-E GLAZING
F	OPERABLE STEEL WINDOW SYSTEM WITH TRANSLUCENT BACKLIT TRANSOM
G	LAMINATED GLASS GUARDRAILING SYSTEM
H	CORRUGATED METAL PANELS WITH LOUVERS WHERE APPLICABLE



MATERIAL LEGEND

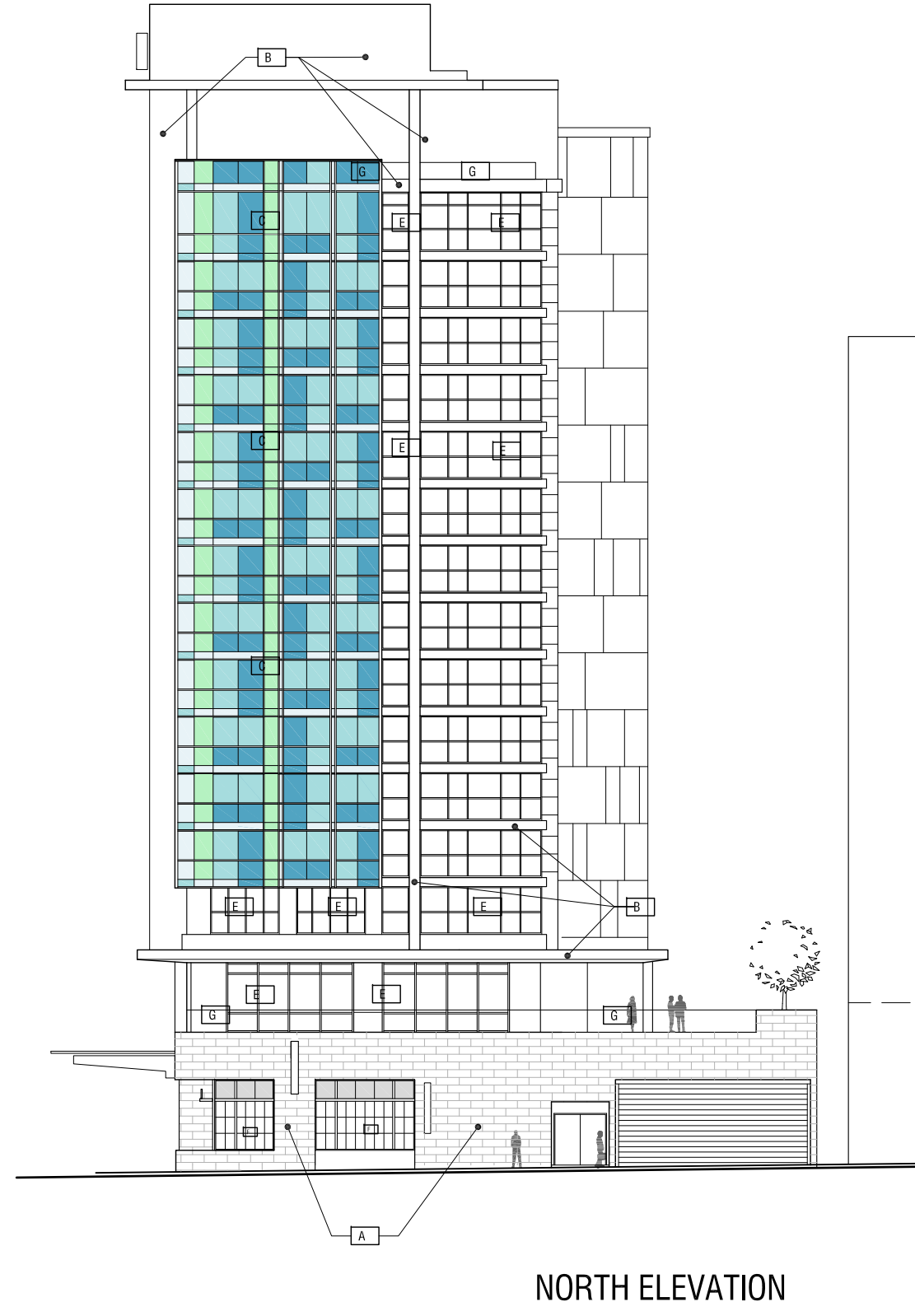
- A** TEXTURED SPLIT LIMESTONE 12 X 24 CUT STONE PANELS.
ALTERNATE PRODUCTS:
- CORONADO THIN VENEER STONE 'SPLIT LIMESTONE'
- CORONADO THIN VENEER STONE 'GETTYSTONE' CREME
- B** ALUMINUM COMPOSITE PANEL (ACM) REYNOBOND OR ALUCOBOND;
COLOR - ANODIC SATIN MICA
- C** GLASS CURTAINWALL FEATURE - MULLION PATTERN TBD.
50% OF VERTICALS TO BE BUTT JOINED; THREE GLASS COLORS; 1" IGU
- D** VENTILATED COMPOSITE RAIN SCREEN PANELS -
TRESPA METEON EXTERIOR; COLOR - WEATHERED BASALT
ALTERNATE MANUFACTURERS
- ABET LAMINATI
- SWISS PEARL
- CENTRIA INSULATED METAL PANELS
- E** STOREFRONT OR CURTAINWALL SYSTEM; 1" LOW-E GLAZING
- F** OPERABLE STEEL WINDOW SYSTEM WITH TRANSLUCENT BACKLIT TRANSOM
- G** LAMINATED GLASS GUARDRAILING SYSTEM
- H** CORRUGATED METAL PANELS WITH LOUVERS WHERE APPLICABLE

WEST ELEVATION



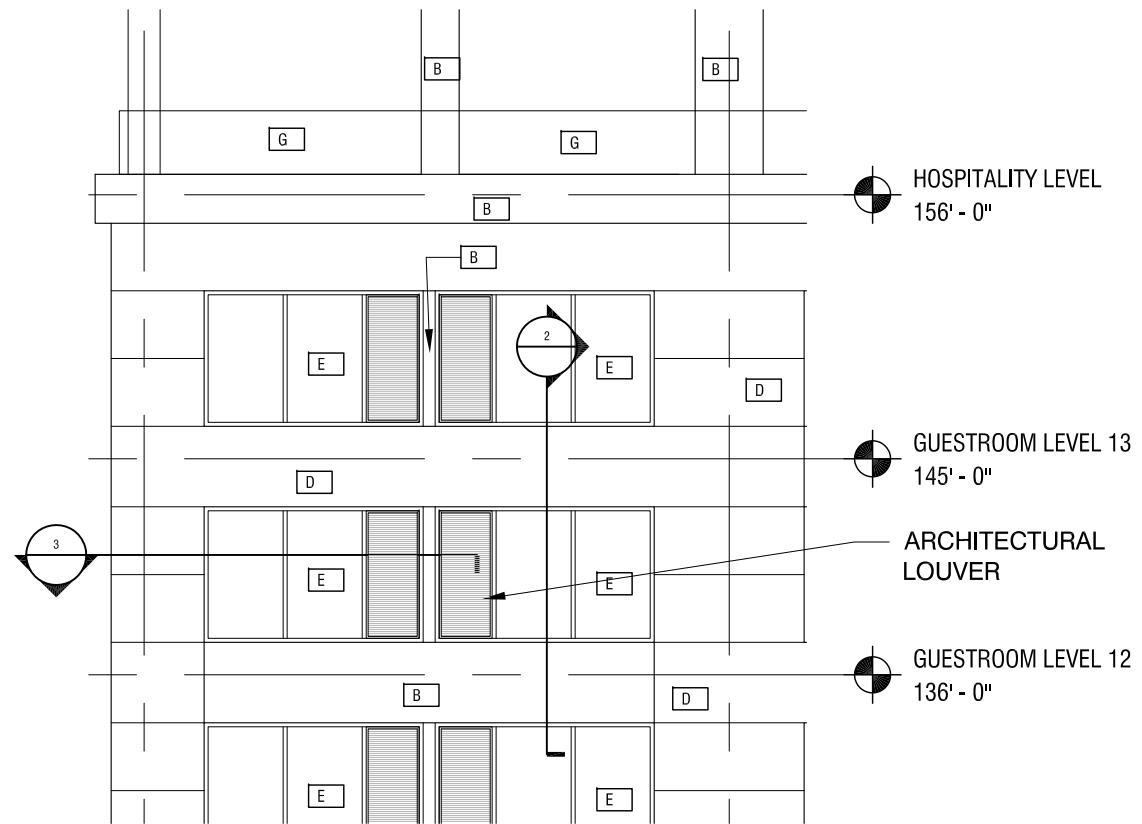
SOUTH ELEVATION

- ROOF LEVEL
172' - 0"
- 16'-0"
- HOSPITALITY LEVEL
156' - 0"
- 11'-0"
- GUESTROOM LVL 13
145' - 0"
- GUESTROOM LVL 12
136' - 0"
- GUESTROOM LVL 11
127' - 0"
- GUESTROOM LVL 10
118' - 0"
- GUESTROOM LVL 9
109' - 0"
- GUESTROOM LVL 8
100' - 0"
- 108'-0"
108'-0" (GLASS CURTAIN WALL)
- GUESTROOM LVL 7
91' - 0"
- GUESTROOM LVL 6
82' - 0"
- GUESTROOM LVL 5
73' - 0"
- GUESTROOM LVL 4
64' - 0"
- GUESTROOM LVL 3
55' - 0"
- GUESTROOM LVL 2
46' - 0"
- GUESTROOM LVL 1
37' - 0"
- 15'-0"
- MEETING LEVEL
22' - 0"
- 22'-0"
- FIRST FLOOR
0' - 0"
- 15'-0"
- FIRST FLOOR
0' - 0"



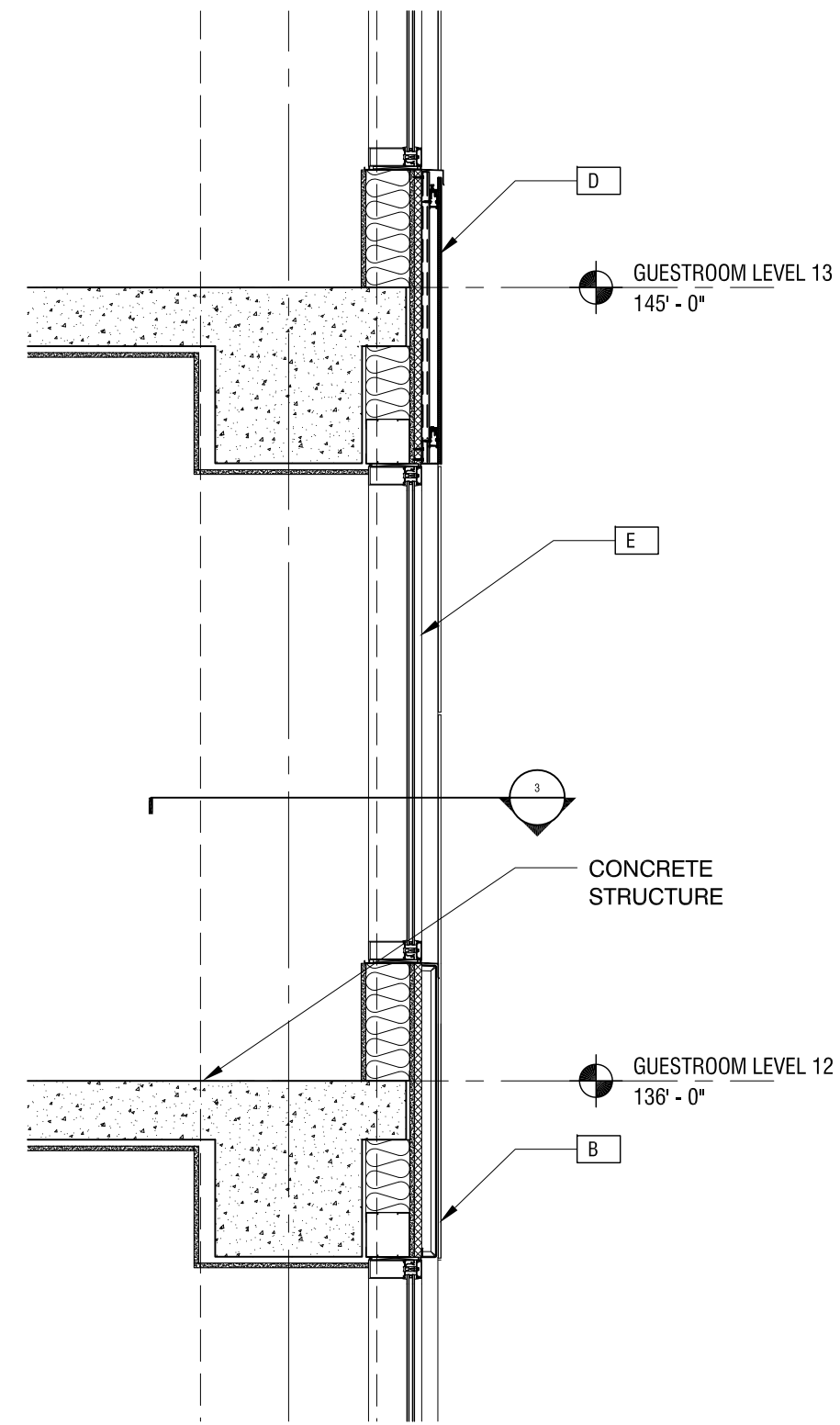
NORTH ELEVATION

MATERIAL LEGEND	
A	TEXTURED SPLIT LIMESTONE 12 X 24 CUT STONE PANELS. ALTERNATE PRODUCTS- - CORONADO THIN VENEER STONE 'SPLIT LIMESTONE' - CORONADO THIN VENEER STONE 'GETTYSTONE' CREME
B	ALUMINUM COMPOSITE PANEL (ACM) REYNOBOND OR ALUCOBOND; COLOR - ANODIC SATIN MICA
C	GLASS CURTAINWALL FEATURE - MULLION PATTERN TBD, 50% OF VERTICALS TO BE BUTT JOINED; THREE GLASS COLORS; 1" IGU
D	VENTILATED COMPOSITE RAIN SCREEN PANELS - TRESPA METEON EXTERIOR; COLOR - WEATHERED BASALT ALTERNATE MANUFACTURERS - ABET LAMINATI - SWISS PEARL - CENTRIA INSULATED MEATL PANELS
E	STOREFRONT OR CURTAINWALL SYSTEM; 1" LOW-E GLAZING
F	OPERABLE STEEL WINDOW SYSTEM WITH TRANSLUCENT BACKLIT TRANSOM
G	LAMINATED GLASS GUARDRAILING SYSTEM
H	CORRUGATED METAL PANELS WITH LOUVERS WHERE APPLICABLE

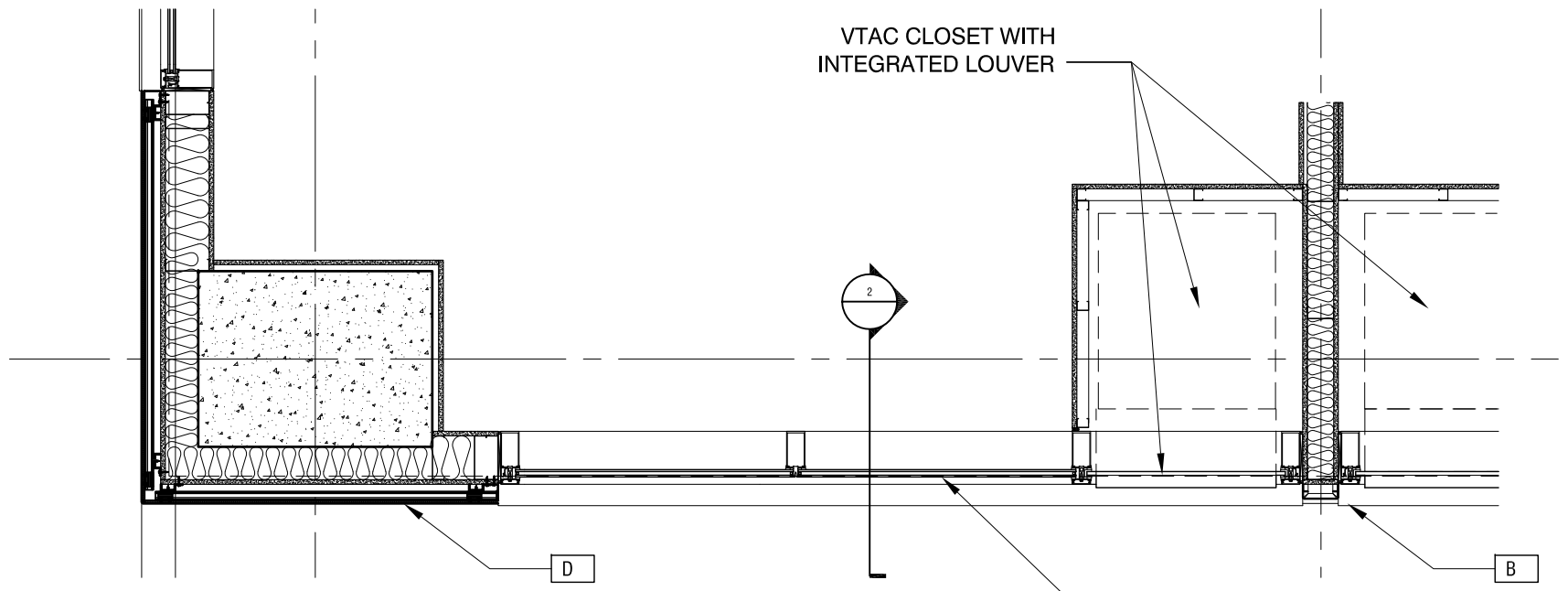


1 ENLARGED ELEVATION
SCALE: 1/4" = 1'-0"

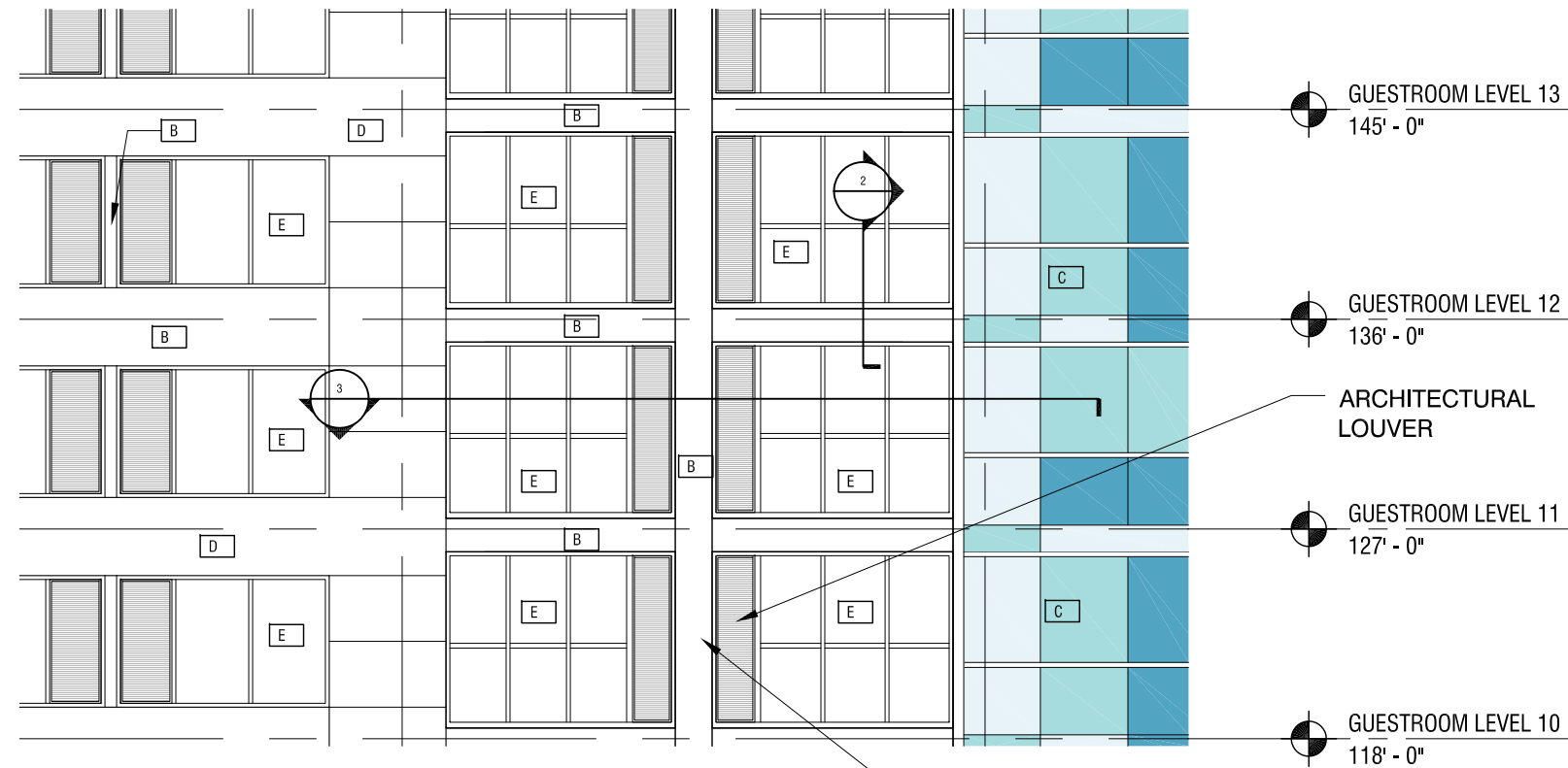
MATERIAL LEGEND	
A	TEXTURED SPLIT LIMESTONE 12 X 24 CUT STONE PANELS. ALTERNATE PRODUCTS: - CORONADO THIN VENEER STONE 'SPLIT LIMESTONE' - CORONADO THIN VENEER STONE 'GETTYSTONE' CREME
B	ALUMINUM COMPOSITE PANEL (ACM) REYNOBOND OR ALUCOBOND; COLOR - ANODIC SATIN MICA
C	GLASS CURTAINWALL FEATURE - MULLION PATTERN TBD, 50% OF VERTICALS TO BE BUTT JOINED; THREE GLASS COLORS; 1" IGU
D	VENTILATED COMPOSITE RAIN SCREEN PANELS - TRESPA METEON EXTERIOR; COLOR - WEATHERED BASALT ALTERNATE MANUFACTURERS - ABET LAMINATI - SWISS PEARL - CENTRIA INSULATED METAL PANELS
E	STOREFRONT OR CURTAINWALL SYSTEM; 1" LOW-E GLAZING
F	OPERABLE STEEL WINDOW SYSTEM WITH TRANSLUCENT BACKLIT TRANSOM
G	LAMINATED GLASS GUARDRAILING SYSTEM
H	CORRUGATED METAL PANELS WITH LOUVERS WHERE APPLICABLE



2 SECTION DETAIL
SCALE: 1/2" = 1'-0"



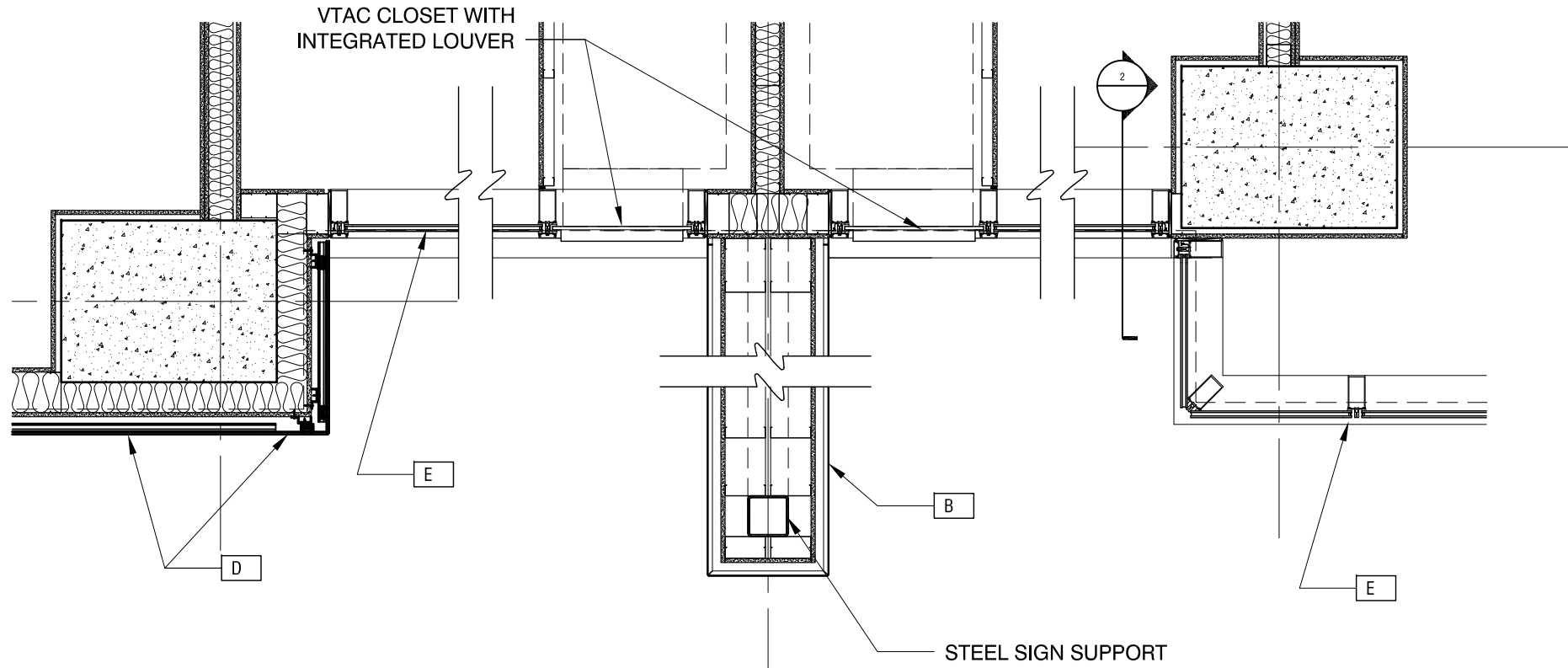
3 SECTION DETAIL
SCALE: 1/2" = 1'-0"



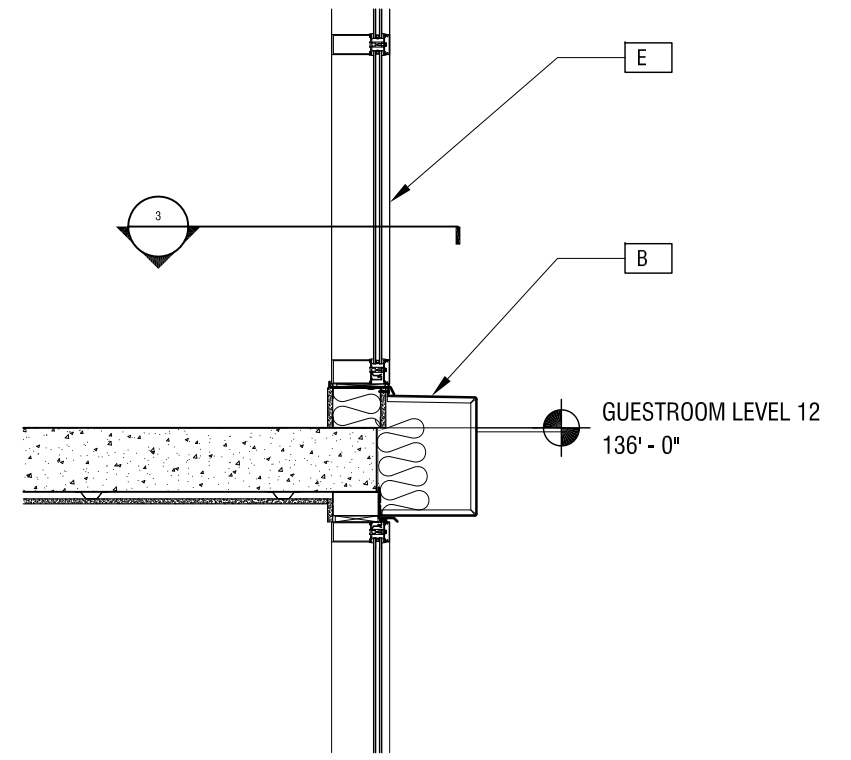
MATERIAL LEGEND	
A	TEXTURED SPLIT LIMESTONE 12 X 24 CUT STONE PANELS. ALTERNATE PRODUCTS- - CORONADO THIN VENEER STONE 'SPLIT LIMESTONE' - CORONADO THIN VENEER STONE 'GETTYSTONE' CREME
B	ALUMINUM COMPOSITE PANEL (ACM) REYNOBOND OR ALUCOBOND; COLOR - ANODIC SATIN MICA
C	GLASS CURTAINWALL FEATURE - MULLION PATTERN TBD, 50% OF VERTICALS TO BE BUTT JOINED; THREE GLASS COLORS; 1" IGU
D	VENTILATED COMPOSITE RAIN SCREEN PANELS - TRESPA METEON EXTERIOR; COLOR - WEATHERED BASALT ALTERNATE MANUFACTURERS - ABET LAMINATI - SWISS PEARL - CENTRIA INSULATED METAL PANELS
E	STOREFRONT OR CURTAINWALL SYSTEM; 1" LOW-E GLAZING
F	OPERABLE STEEL WINDOW SYSTEM WITH TRANSLUCENT BACKLIT TRANSOM
G	LAMINATED GLASS GUARDRAILING SYSTEM
H	CORRUGATED METAL PANELS WITH LOUVERS WHERE APPLICABLE

1 ENLARGED ELEVATION
SCALE: 1/8" = 1'-0"

ALUMINUM PANEL
BLADE SIGN



3 SECTION DETAIL
SCALE: 1/2" = 1'-0"



2 SECTION DETAIL
SCALE: 1/2" = 1'-0"