



12' - 0" FACE OF CURB TO PROPERTY LINE, TYP.

10 LONG TERM BICYCLE STALLS

12' - 0" FACE OF CURB TO PROPERTY LINE, TYP.

2 LONG TERM BICYCLE STALLS
4 SHORT TERM BICYCLE STALLS

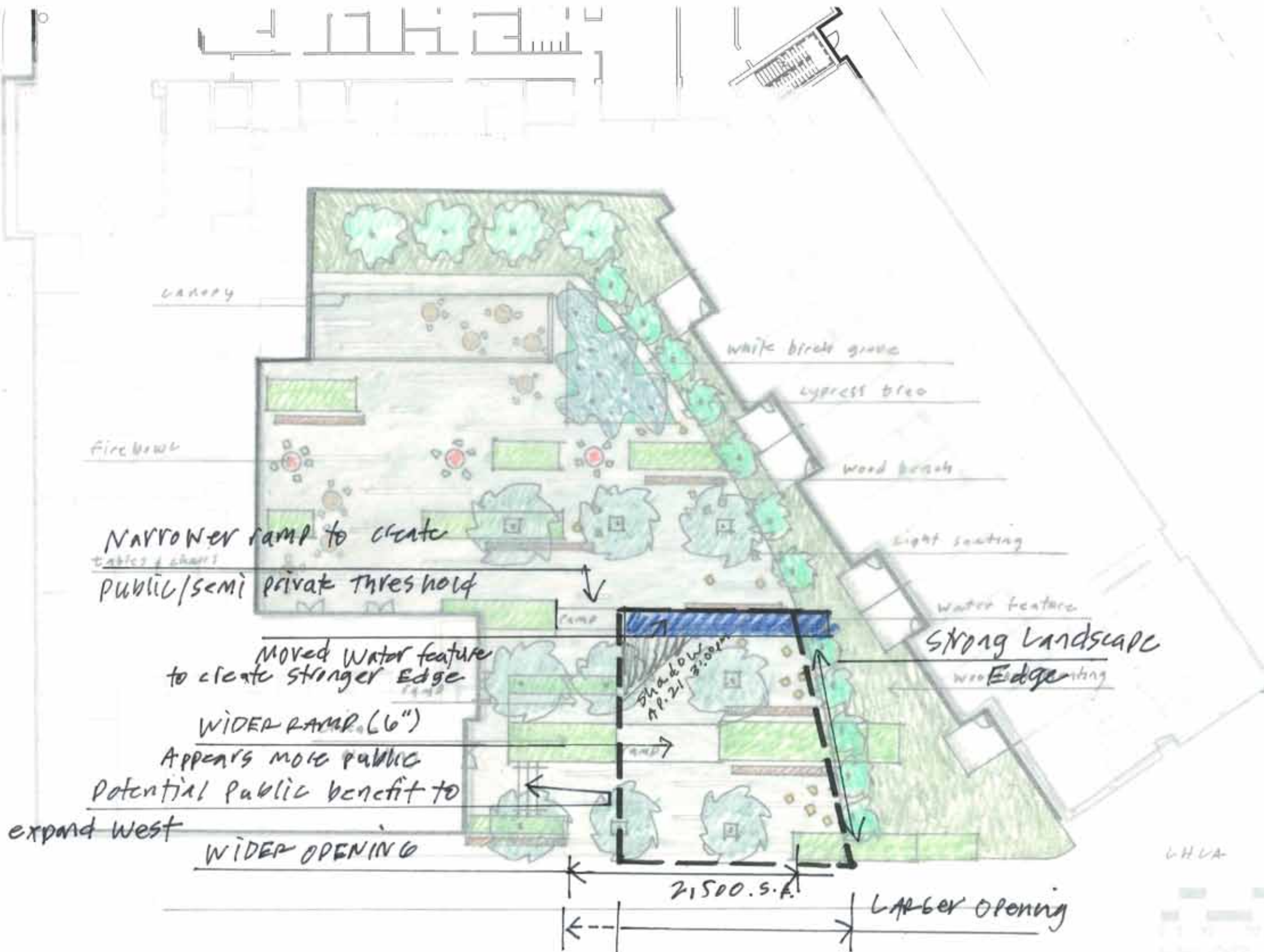
8 SHORT TERM BICYCLE STALLS

12' - 0" FACE OF CURB TO PROPERTY LINE, TYP.

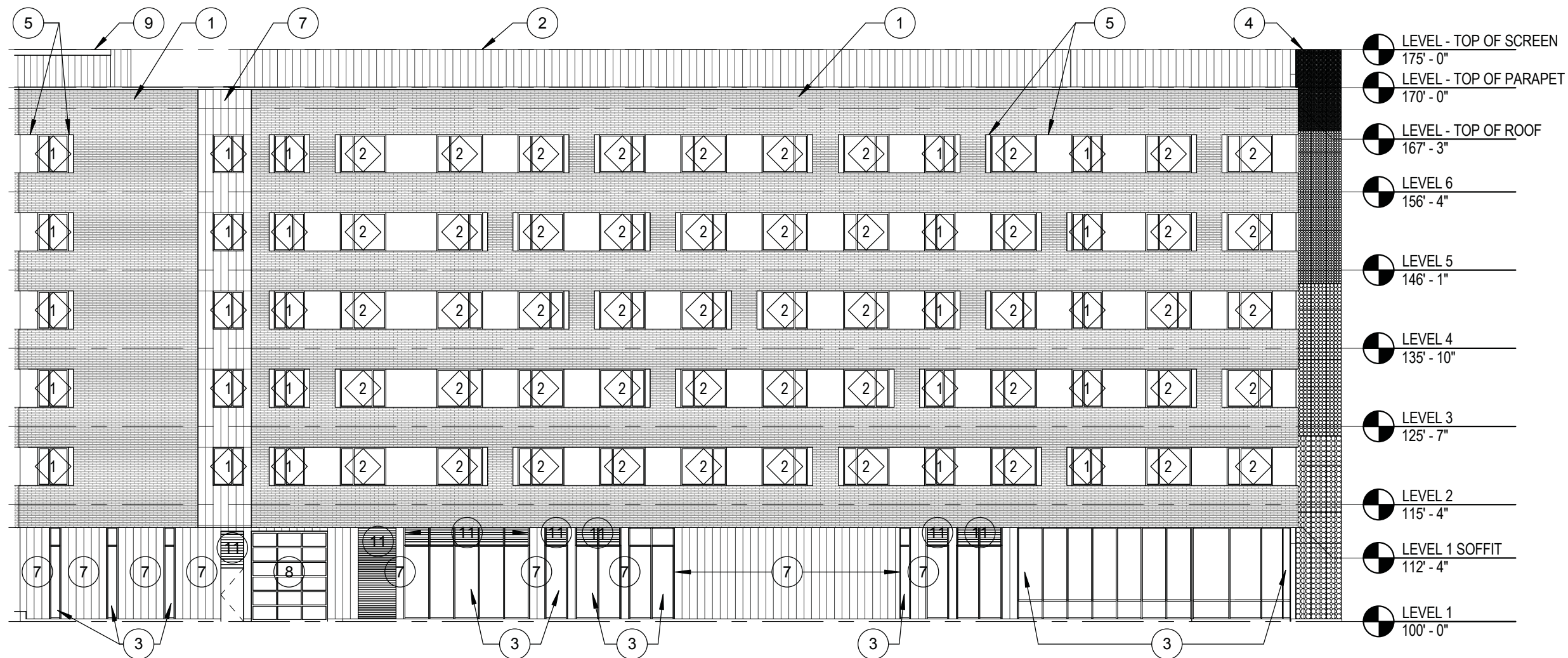
12' - 0" FACE OF CURB TO PROPERTY LINE, TYP.



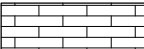
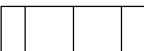

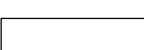






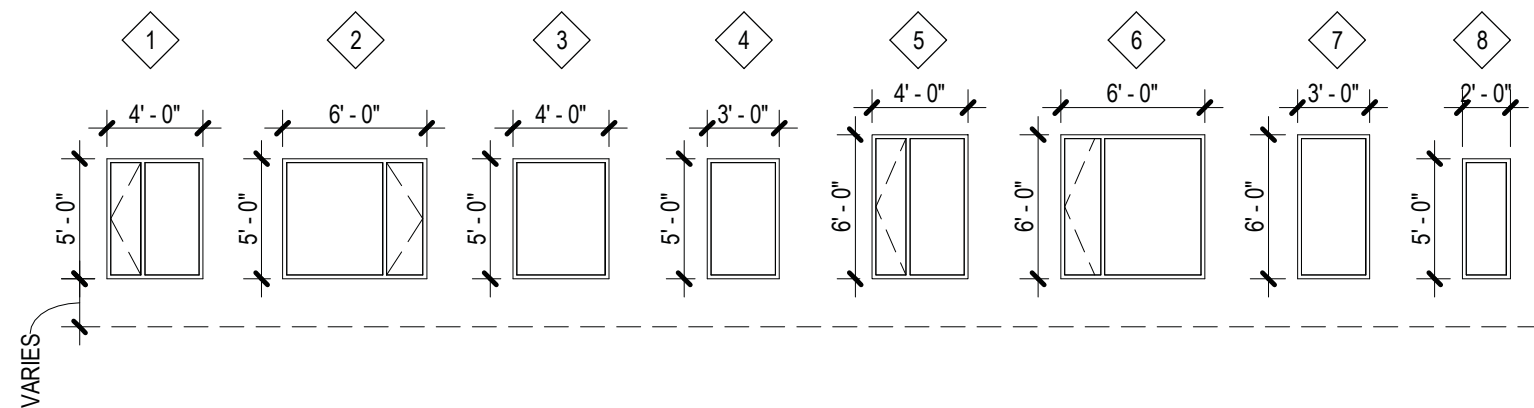


LEGEND - EXT ELEVS

-  NORMAN BRICK
-  VERTICAL SEAM METAL PANELS
-  PERFORATED METAL PANEL SCREEN
-  COMPOSITE METAL PANELS

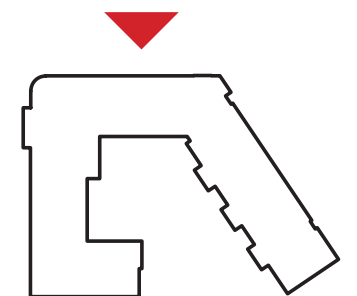
KEYNOTES - EXT ELEVS

- 1 LIGHT COLORED BRICK
- 2 MECHANICAL SCREENING
- 3 STOREFRONT GLAZING
- 4 PERFORATED METAL PANEL SCREENING
- 5 COMPOSITE METAL PANEL
- 6 VERTICAL SEAM METAL PANEL COLOR #2 - AUTUMN GOLD
- 7 VERTICAL SEAM METAL PANEL COLOR #3 - GRAY (3 TONES)
- 8 GLAZED LOADING DOCK ROLLING DOOR
- 9 STAIR DOGHOUSE
- 10 ENTRY CANOPY
- 11 EXHAUST LOUVER
- 12 COURTYARD CANOPY
- 13 VERTICAL SEAM METAL PANEL COLOR #4 - YELLOW (BEHIND PERFORATED SCREEN)



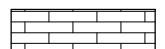

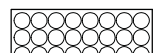
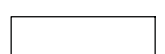
WINDOW CALCULATIONS

TOTAL AREA:	1502 SF	TOTAL LINEAR:	166'-10"
WINDOW AREA:	778 SF	WINDOW LINEAR:	87'-10"
PERCENTAGE:	51.8%	PERCENTAGE:	52.6%



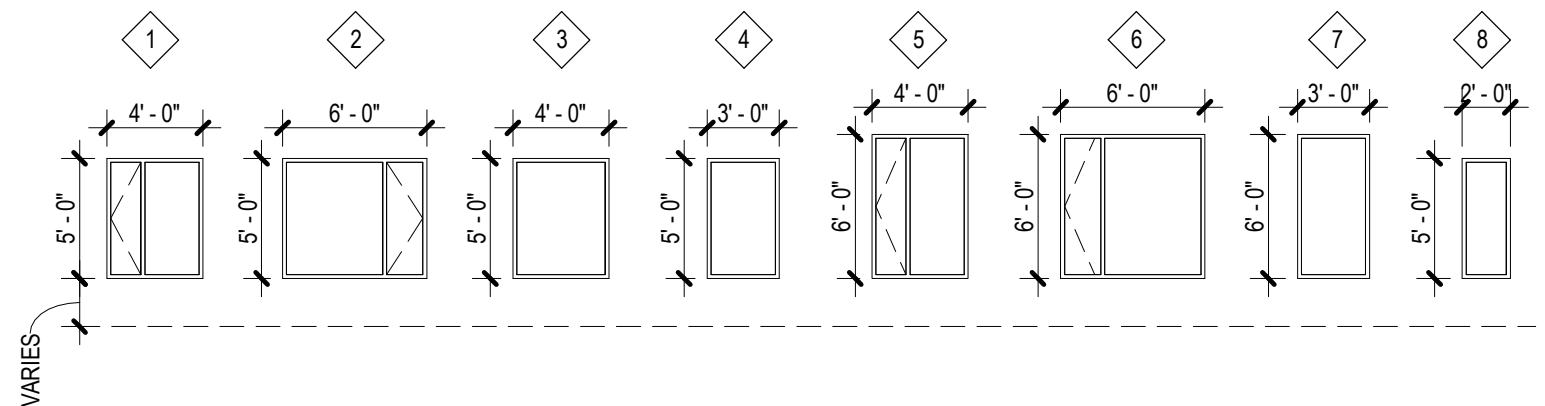


LEGEND - EXT ELEVS

-  NORMAN BRICK
-  VERTICAL SEAM METAL PANELS
-  PERFORATED METAL PANEL SCREEN
-  COMPOSITE METAL PANELS

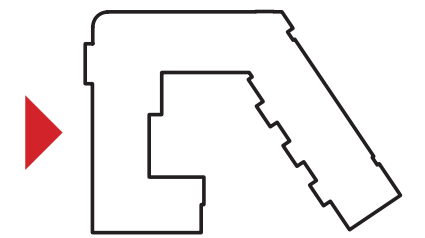
KEYNOTES - EXT ELEVS

- 1 LIGHT COLORED BRICK
- 2 MECHANICAL SCREENING
- 3 STOREFRONT GLAZING
- 4 PERFORATED METAL PANEL SCREENING
- 5 COMPOSITE METAL PANEL
- 6 VERTICAL SEAM METAL PANEL COLOR #2 - AUTUMN GOLD
- 7 VERTICAL SEAM METAL PANEL COLOR #3 - GRAY (3 TONES)
- 8 GLAZED LOADING DOCK ROLLING DOOR
- 9 STAIR DOGHOUSE
- 10 ENTRY CANOPY
- 11 EXHAUST LOUVER
- 12 COURTYARD CANOPY
- 13 VERTICAL SEAM METAL PANEL COLOR #4 - YELLOW (BEHIND PERFORATED SCREEN)



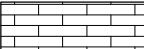

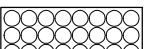
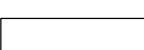
WINDOW CALCULATIONS

TOTAL AREA:	1752 SF	TOTAL LINEAR:	194'-8"
WINDOW AREA:	1151 SF	WINDOW LINEAR:	132'-10"
PERCENTAGE:	65.7%	PERCENTAGE:	68%



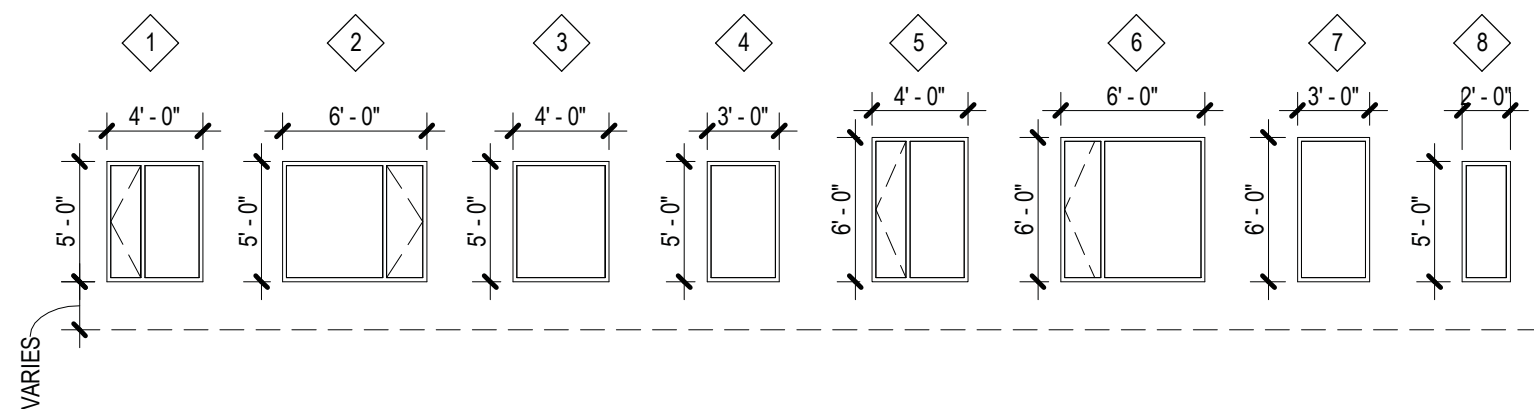


LEGEND - EXT ELEVS

-  NORMAN BRICK
-  VERTICAL SEAM METAL PANELS
-  PERFORATED METAL PANEL SCREEN
-  COMPOSITE METAL PANELS

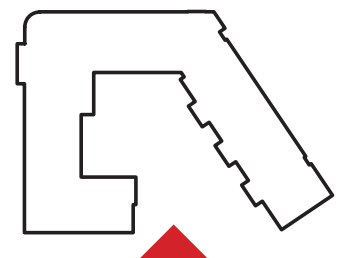
KEYNOTES - EXT ELEVS

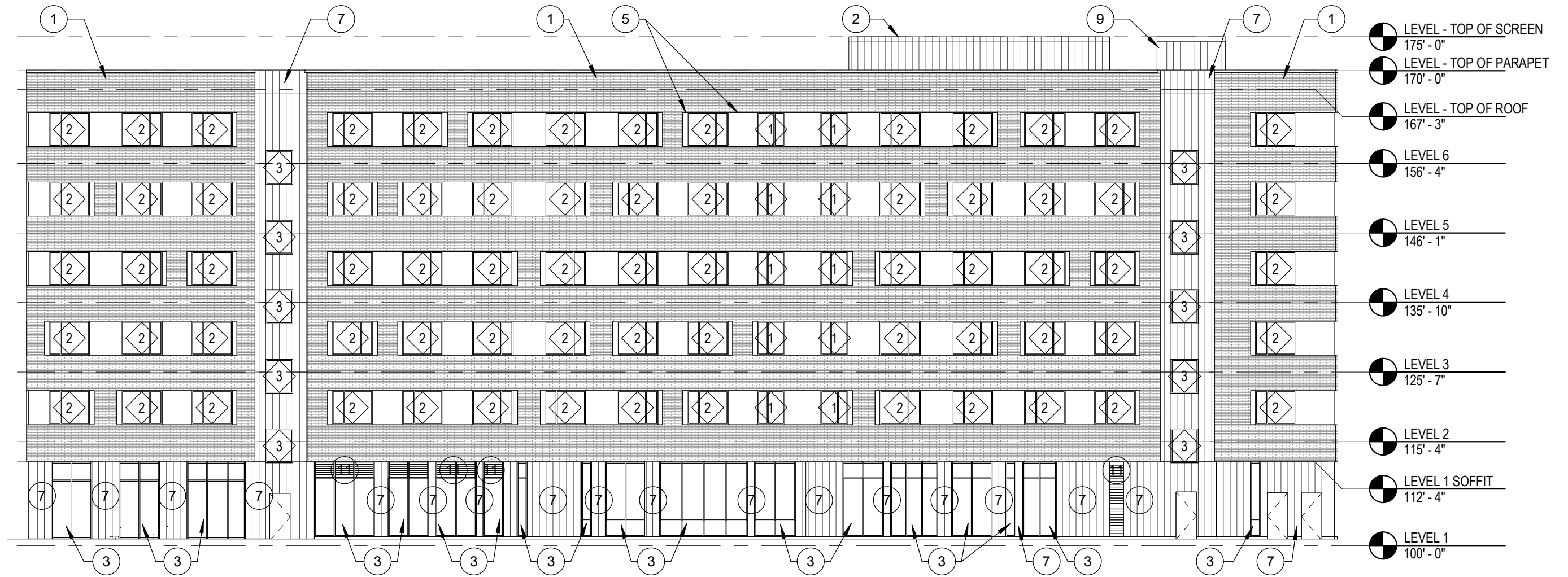
- 1 LIGHT COLORED BRICK
- 2 MECHANICAL SCREENING
- 3 STOREFRONT GLAZING
- 4 PERFORATED METAL PANEL SCREENING
- 5 COMPOSITE METAL PANEL
- 6 VERTICAL SEAM METAL PANEL COLOR #2 - AUTUMN GOLD
- 7 VERTICAL SEAM METAL PANEL COLOR #3 - GRAY (3 TONES)
- 8 GLAZED LOADING DOCK ROLLING DOOR
- 9 STAIR DOGHOUSE
- 10 ENTRY CANOPY
- 11 EXHAUST LOUVER
- 12 COURTYARD CANOPY
- 13 VERTICAL SEAM METAL PANEL COLOR #4 - YELLOW (BEHIND PERFORATED SCREEN)



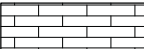


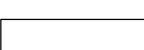
WINDOW CALCULATIONS

TOTAL AREA:	862 SF	TOTAL LINEAR:	95'-9"
WINDOW AREA:	500 SF	WINDOW LINEAR:	57'-9"
PERCENTAGE:	58%	PERCENTAGE:	60%



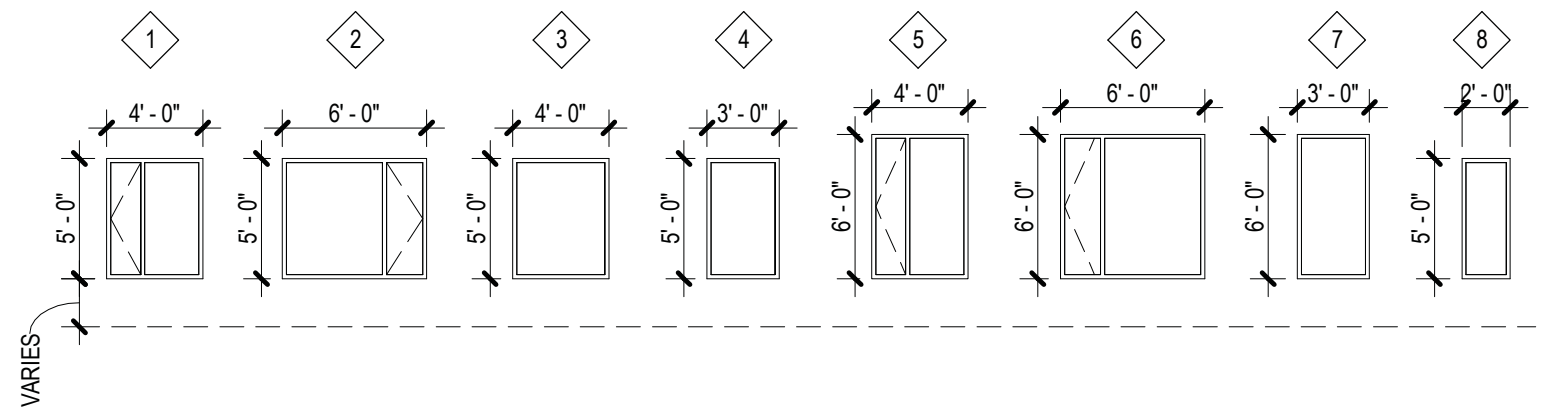


LEGEND - EXT ELEVS

-  NORMAN BRICK
-  VERTICAL SEAM METAL PANELS
-  PERFORATED METAL PANEL SCREEN
-  COMPOSITE METAL PANELS

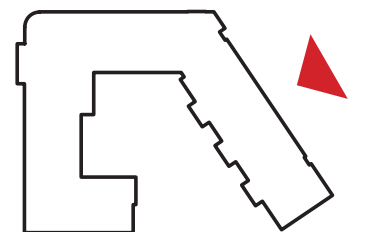
KEYNOTES - EXT ELEVS

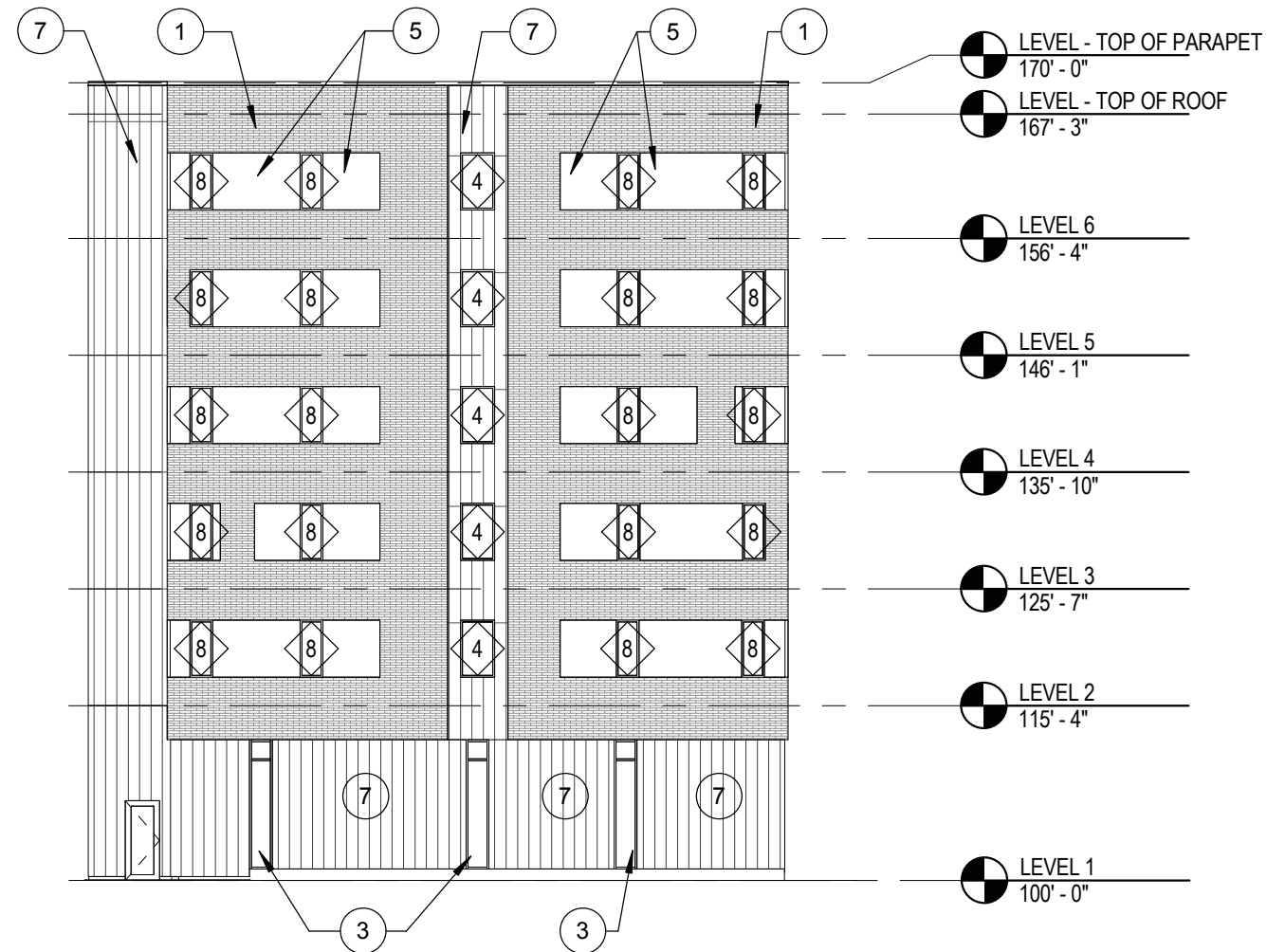
- 1 LIGHT COLORED BRICK
- 2 MECHANICAL SCREENING
- 3 STOREFRONT GLAZING
- 4 PERFORATED METAL PANEL SCREENING
- 5 COMPOSITE METAL PANEL
- 6 VERTICAL SEAM METAL PANEL COLOR #2 - AUTUMN GOLD
- 7 VERTICAL SEAM METAL PANEL COLOR #3 - GRAY (3 TONES)
- 8 GLAZED LOADING DOCK ROLLING DOOR
- 9 STAIR DOGHOUSE
- 10 ENTRY CANOPY
- 11 EXHAUST LOUVER
- 12 COURTYARD CANOPY
- 13 VERTICAL SEAM METAL PANEL COLOR #4 - YELLOW (BEHIND PERFORATED SCREEN)





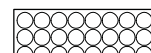
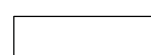
WINDOW CALCULATIONS

TOTAL AREA:	1360 SF	TOTAL LINEAR:	151'-1"
WINDOW AREA:	688 SF	WINDOW LINEAR:	79'-6"
PERCENTAGE:	50.6%	PERCENTAGE:	52.6%



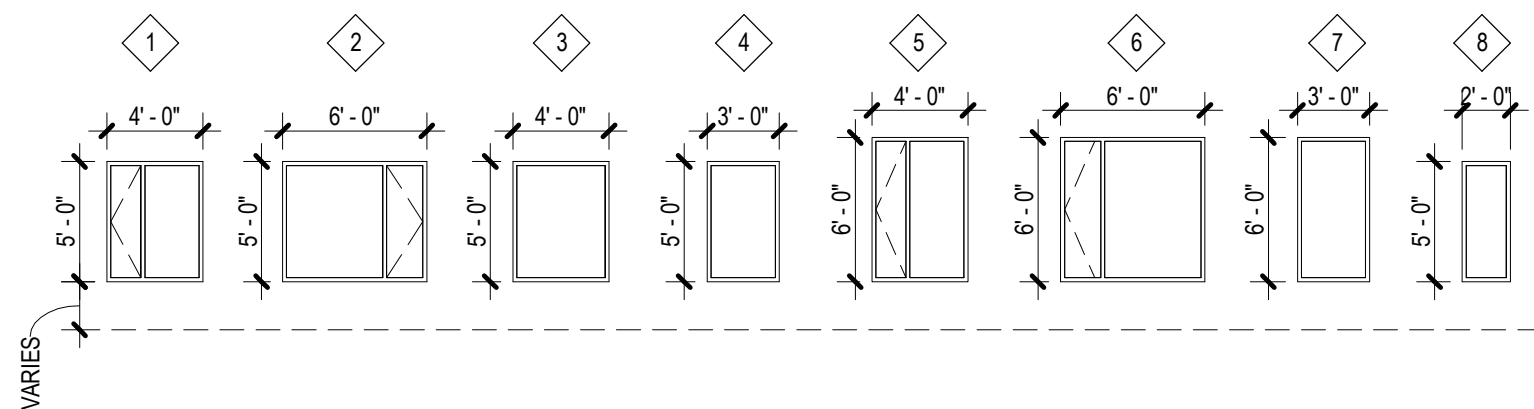


LEGEND - EXT ELEVS

-  NORMAN BRICK
-  VERTICAL SEAM METAL PANELS
-  PERFORATED METAL PANEL SCREEN
-  COMPOSITE METAL PANELS

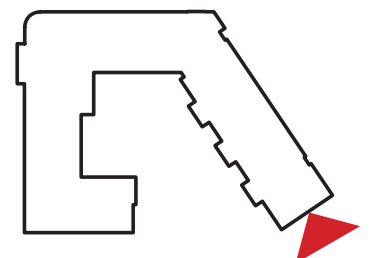
KEYNOTES - EXT ELEVS

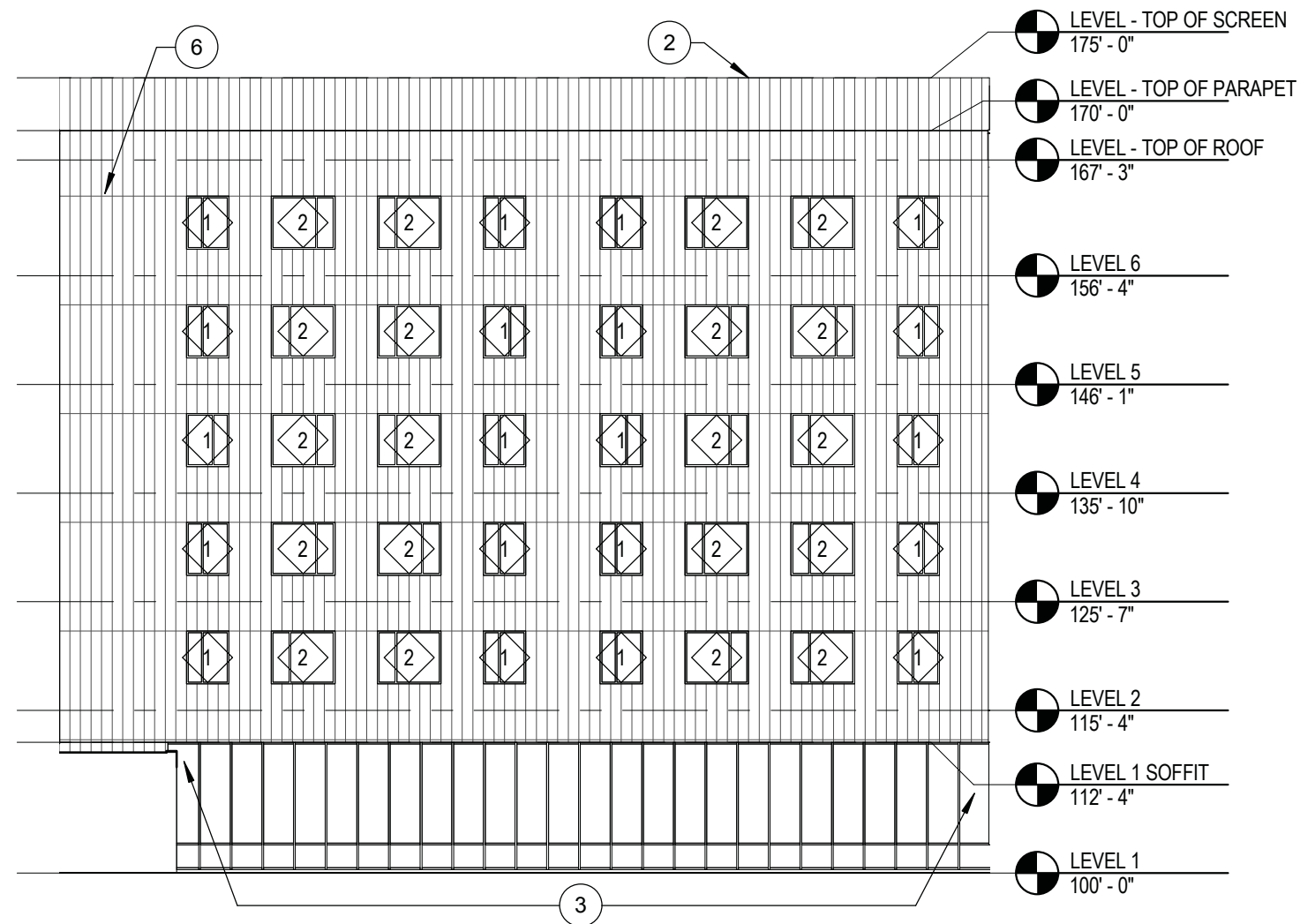
- 1 LIGHT COLORED BRICK
- 2 MECHANICAL SCREENING
- 3 STOREFRONT GLAZING
- 4 PERFORATED METAL PANEL SCREENING
- 5 COMPOSITE METAL PANEL
- 6 VERTICAL SEAM METAL PANEL COLOR #2 - AUTUMN GOLD
- 7 VERTICAL SEAM METAL PANEL COLOR #3 - GRAY (3 TONES)
- 8 GLAZED LOADING DOCK ROLLING DOOR
- 9 STAIR DOGHOUSE
- 10 ENTRY CANOPY
- 11 EXHAUST LOUVER
- 12 COURTYARD CANOPY
- 13 VERTICAL SEAM METAL PANEL COLOR #4 - YELLOW (BEHIND PERFORATED SCREEN)




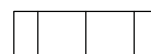
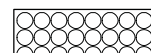
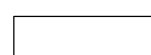
WINDOW CALCULATIONS

RESIDENTIAL UNITS NOT REQUIRED TO MEET GROUND FLOOR WINDOW REQUIREMENTS



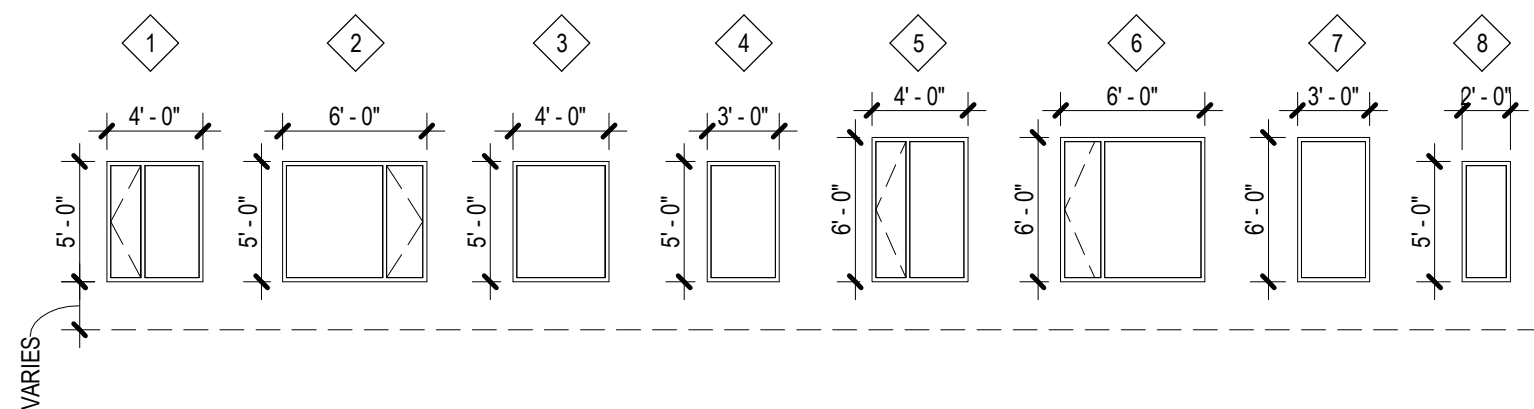


LEGEND - EXT ELEVS

-  NORMAN BRICK
-  VERTICAL SEAM METAL PANELS
-  PERFORATED METAL PANEL SCREEN
-  COMPOSITE METAL PANELS

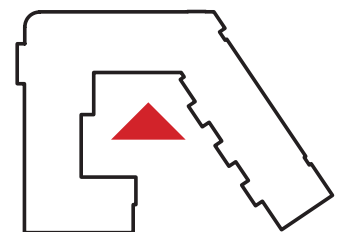
KEYNOTES - EXT ELEVS

- 1 LIGHT COLORED BRICK
- 2 MECHANICAL SCREENING
- 3 STOREFRONT GLAZING
- 4 PERFORATED METAL PANEL SCREENING
- 5 COMPOSITE METAL PANEL
- 6 VERTICAL SEAM METAL PANEL COLOR #2 - AUTUMN GOLD
- 7 VERTICAL SEAM METAL PANEL COLOR #3 - GRAY (3 TONES)
- 8 GLAZED LOADING DOCK ROLLING DOOR
- 9 STAIR DOGHOUSE
- 10 ENTRY CANOPY
- 11 EXHAUST LOUVER
- 12 COURTYARD CANOPY
- 13 VERTICAL SEAM METAL PANEL COLOR #4 - YELLOW (BEHIND PERFORATED SCREEN)




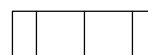
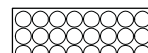

WINDOW CALCULATIONS

INTERIOR COURTYARD NOT REQUIRED TO MEET GROUND FLOOR WINDOW REQUIREMENTS



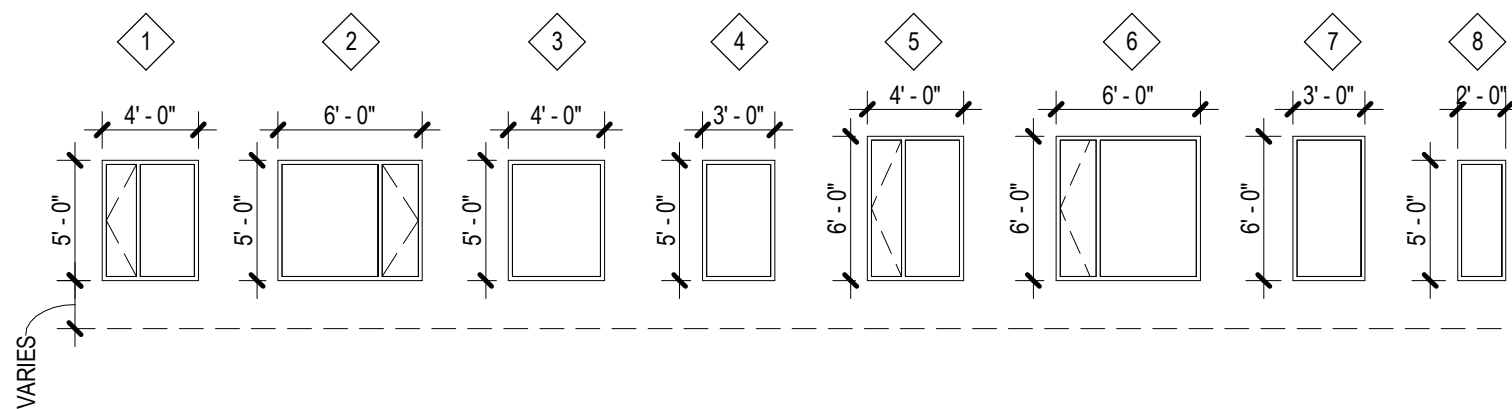


LEGEND - EXT ELEVS

-  NORMAN BRICK
-  VERTICAL SEAM METAL PANELS
-  PERFORATED METAL PANEL SCREEN
-  COMPOSITE METAL PANELS

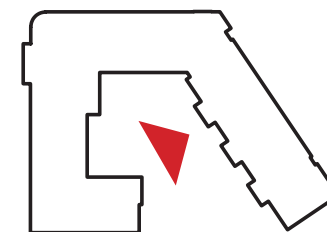
KEYNOTES - EXT ELEVS

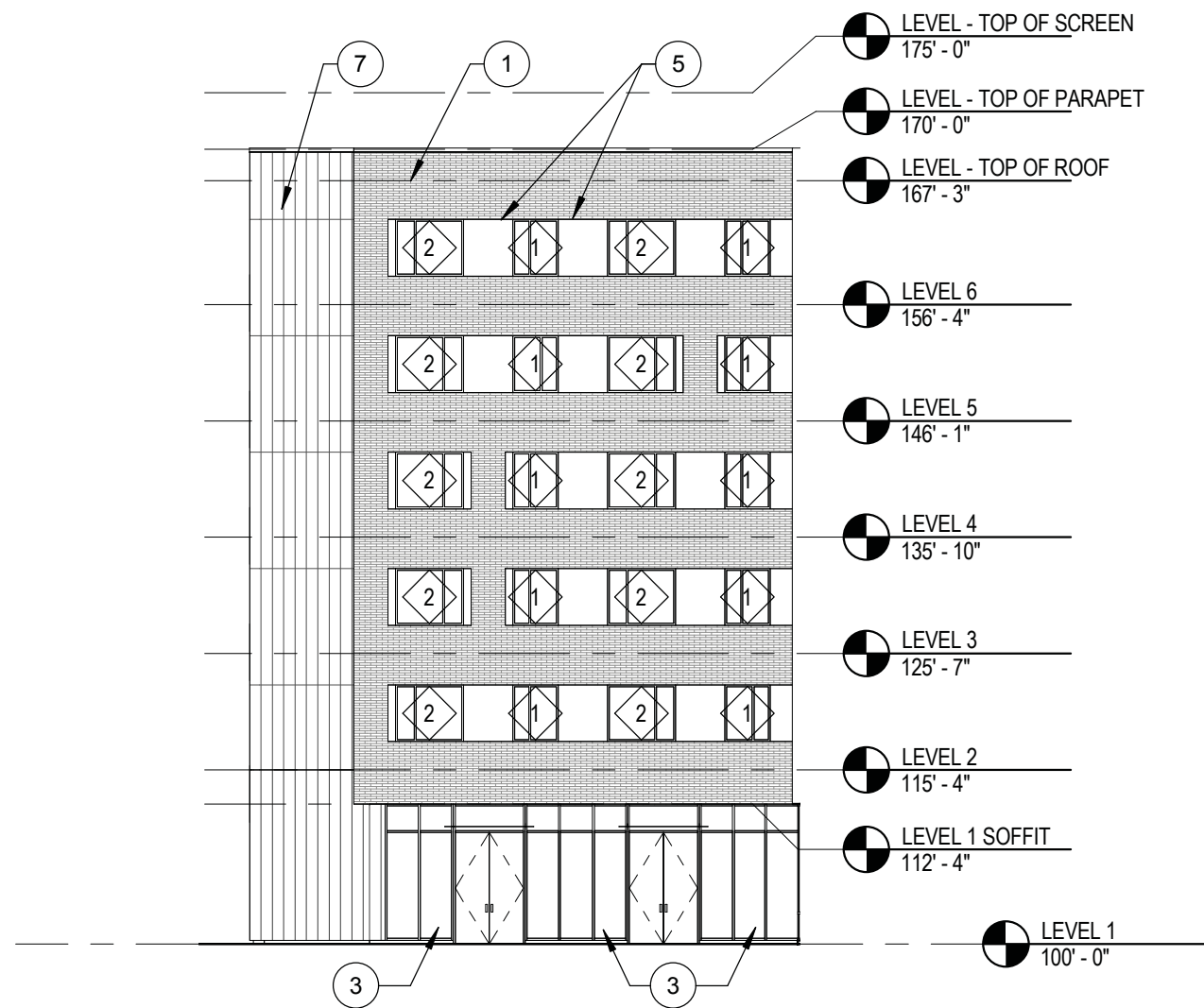
- 1 LIGHT COLORED BRICK
- 2 MECHANICAL SCREENING
- 3 STOREFRONT GLAZING
- 4 PERFORATED METAL PANEL SCREENING
- 5 COMPOSITE METAL PANEL
- 6 VERTICAL SEAM METAL PANEL COLOR #2 - AUTUMN GOLD
- 7 VERTICAL SEAM METAL PANEL COLOR #3 - GRAY (3 TONES)
- 8 GLAZED LOADING DOCK ROLLING DOOR
- 9 STAIR DOGHOUSE
- 10 ENTRY CANOPY
- 11 EXHAUST LOUVER
- 12 COURTYARD CANOPY
- 13 VERTICAL SEAM METAL PANEL COLOR #4 - YELLOW (BEHIND PERFORATED SCREEN)



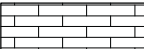

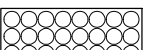
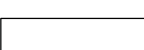
WINDOW CALCULATIONS

RESIDENTIAL UNITS NOT REQUIRED TO MEET GROUND FLOOR WINDOW REQUIREMENTS



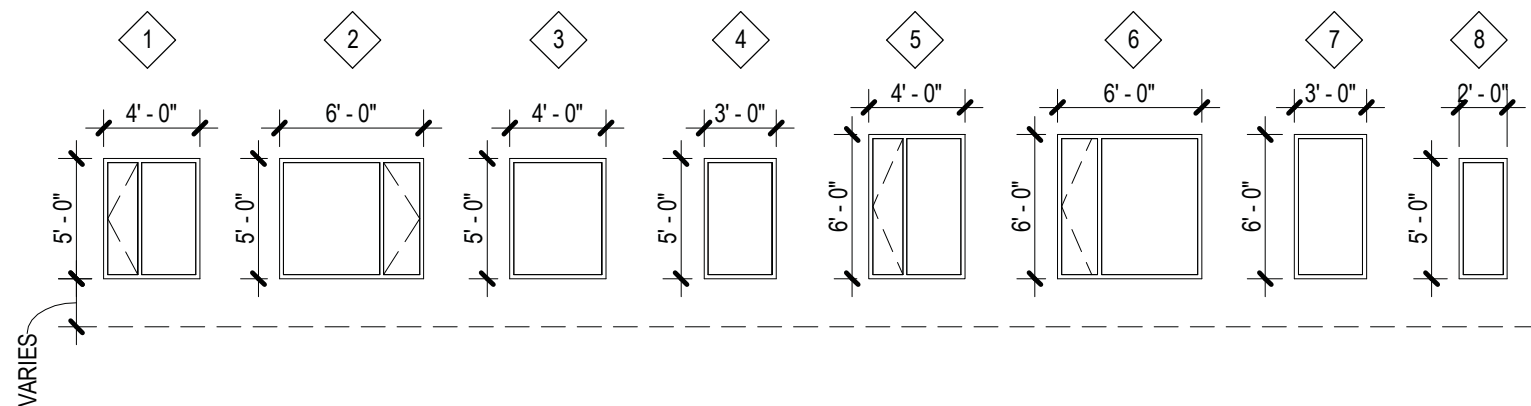


LEGEND - EXT ELEVS

-  NORMAN BRICK
-  VERTICAL SEAM METAL PANELS
-  PERFORATED METAL PANEL SCREEN
-  COMPOSITE METAL PANELS

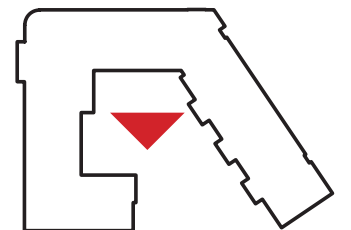
KEYNOTES - EXT ELEVS

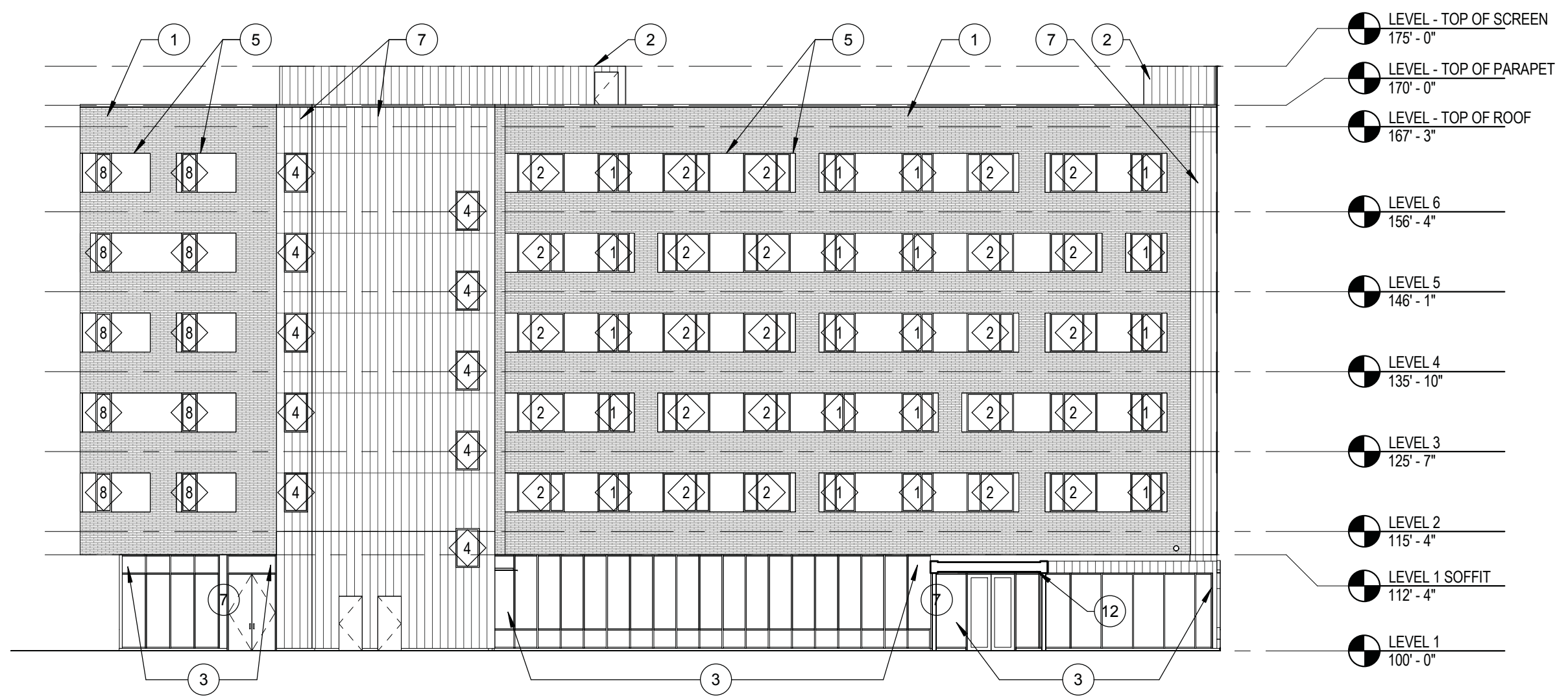
- 1 LIGHT COLORED BRICK
- 2 MECHANICAL SCREENING
- 3 STOREFRONT GLAZING
- 4 PERFORATED METAL PANEL SCREENING
- 5 COMPOSITE METAL PANEL
- 6 VERTICAL SEAM METAL PANEL COLOR #2 - AUTUMN GOLD
- 7 VERTICAL SEAM METAL PANEL COLOR #3 - GRAY (3 TONES)
- 8 GLAZED LOADING DOCK ROLLING DOOR
- 9 STAIR DOGHOUSE
- 10 ENTRY CANOPY
- 11 EXHAUST LOUVER
- 12 COURTYARD CANOPY
- 13 VERTICAL SEAM METAL PANEL COLOR #4 - YELLOW (BEHIND PERFORATED SCREEN)



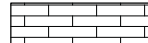

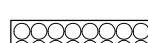
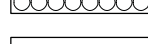
WINDOW CALCULATIONS

INTERIOR COURTYARD NOT REQUIRED TO MEET GROUND FLOOR WINDOW REQUIREMENTS



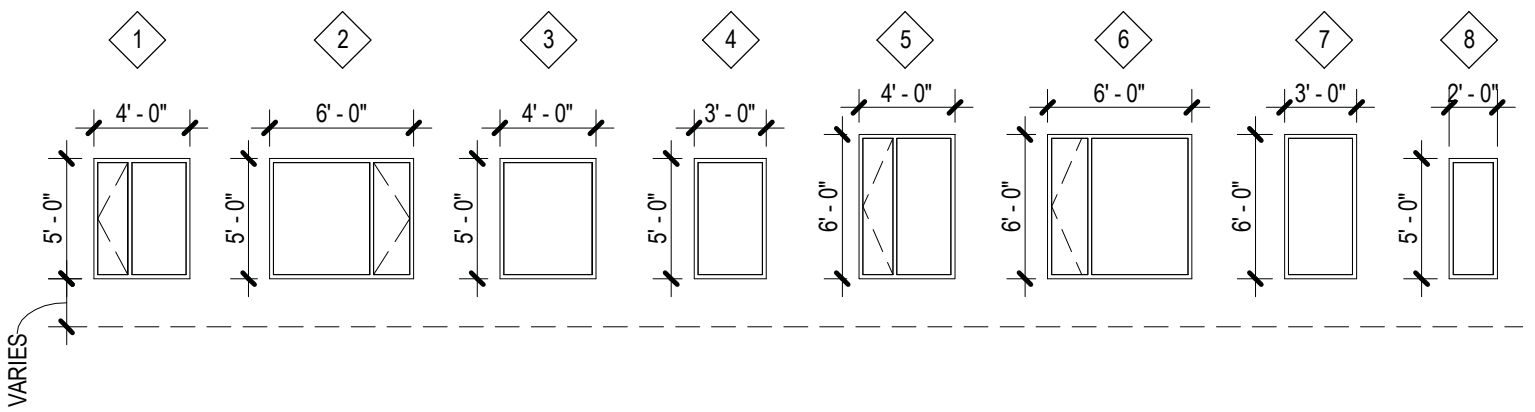


LEGEND - EXT ELEVS

-  NORMAN BRICK
-  VERTICAL SEAM METAL PANELS
-  PERFORATED METAL PANEL SCREEN
-  COMPOSITE METAL PANELS

KEYNOTES - EXT ELEVS

- 1 LIGHT COLORED BRICK
- 2 MECHANICAL SCREENING
- 3 STOREFRONT GLAZING
- 4 PERFORATED METAL PANEL SCREENING
- 5 COMPOSITE METAL PANEL
- 6 VERTICAL SEAM METAL PANEL COLOR #2 - AUTUMN GOLD
- 7 VERTICAL SEAM METAL PANEL COLOR #3 - GRAY (3 TONES)
- 8 GLAZED LOADING DOCK ROLLING DOOR
- 9 STAIR DOGHOUSE
- 10 ENTRY CANOPY
- 11 EXHAUST LOUVER
- 12 COURTYARD CANOPY
- 13 VERTICAL SEAM METAL PANEL COLOR #4 - YELLOW (BEHIND PERFORATED SCREEN)



WINDOW CALCULATIONS

TOTAL AREA:	135 SF	TOTAL LINEAR:	15'-0"
WINDOW AREA:	121 SF	WINDOW LINEAR:	14'-0"
PERCENTAGE:	89.6%	PERCENTAGE:	93%

